

**Mbsm.pro, Compressor,
Danfoss, 1/4hp++, mhbp,
GL90an, R134a, 220-230v, 1ph,
50hz, Csir**

written by Lilianne | 3 May 2022



Mbsm.pro, Compressor, Danfoss, 1/4hp++, mhbp, GL90an, R134a, 220-230v, 1ph, 50hz, Csir

**Mbsm.pro, Congélateur GN-
bd(w)-370, Gean Electronique,
Made in Chine, T classe, 370**

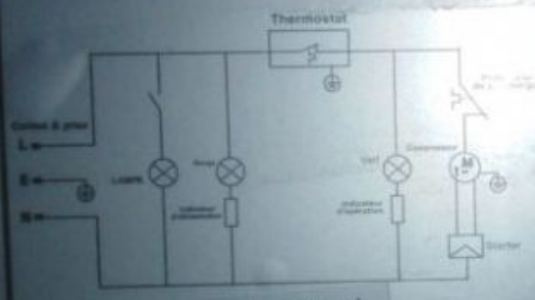
**L, Compressor, 1/4 Hp, R134A,
105 G, 1.3 A, 220 V, Freezer
horizontal, Filtre 20 G,
Capilaire 0.036, 2 M,
Thermostat mecanique**

written by Lilianne | 3 May 2022

Géant
ELECTRONICS

Congélateur GN-BD(W)-370

Schéma électrique



بلد المنشأ: الصين

CLIMAT DE TYPE:	T CLASSE
CLASSIFICATION DE	
ELECTRICITE RESISTANTE:	I
VOLUME DE STOCKAGE:	370L
VOLUME DU CONGELATEUR :	370L
FROZEN CAPACITE:	12kg/24h
TENSION NOMINALE :	220V~
FREQUENCE NOMINALE :	50Hz
COURANT :	1.3A
VALEUR DE BRUIT:	42dB (A)
ALIMENTATION DE LAMPE NOMINALE:	2W
QUANTITE DE REFRIGERANT :	R134a/105g
GAZ D'ISOLATION:	CsHrs

CJ160337003172

Private Picture Copyright: WWW.MBSM.PRO

Mbsm.pro, Congélateur GN-bd(w)-370, Gean Electronique, Made in Chine, T classe, 370 L, Compressor, 1/4 Hp, R134A, 105 G, 1.3 A, 220 V, Freezer horizontal, Filtre 20 G, Capilaire 0.036, 2 M, Thermostat mecanique

Mbsm.pro, Compressor, Files, Pdf, Panasonic compressor, R134a, D-Series, Low Back Pressure

written by Jamila | 3 May 2022



Private Picture Copyright : WWW.MBSM.PRO

Mbsm.pro, Compressor, Files, Pdf, Panasonic compressor, R134a, D-Series, Low Back Pressure

**Mbsm.pro, SWZ12, 000DK02D,
2eDM02000, Intercold,
Freezer, swz1/170, 222 w,
230v, Compressor, 1/4 hp,
R134a, 210 G, 290 L,
Intercold horizontal freezers
for frozen**

written by Lilianne | 3 May 2022



Private Picture Copyright: WWW.MBSM.PRO

Mbsm.pro, SWZ12, 000DK02D, 2eDM02000, Intercold, Freezer,
swz1/170, 222 w, 230v, Compressor, 1/4 hp, R134a, 210 G, 290
L, Intercold horizontal freezers for frozen

Mbsm.pro, Pdf, Is it useful to fill gas r22 in place of r410

written by Lilianne | 3 May 2022



Mbsm.pro, Pdf, Is it useful to fill gas r22 in place of r410

Mbsm.pro, Compressor, atk72x,

**HuaGuang, cmA069LHEM, LG,
1bp, 1/4 hp, 205 W, 699
Btu/h, 220-240V 50HZ,
Refrigerator, Fresh, FNT-
BR470K, 1 A, 376 L, R134a, 95
G, freezer**

written by Lilianne | 3 May 2022



Mbsm.pro, Compressor, atk72x, HuaGuang, cmA069LHEM, LG, 1bp,
1/4 hp, 205 W, 699 Btu/h, 220-240V 50HZ, Refrigerator, Fresh,
FNT-BR470K, 1 A, 376 L, R134a, 95 G, freezer

Mbsm.pro,

Compressor,

**THA125YP, 1/5 Hp, 145 W, Tee
compressor, 125 Kcal/c,
R134A, Lra 12.6 A, 208-220
vac 50 hz**

written by Lilianne | 3 May 2022



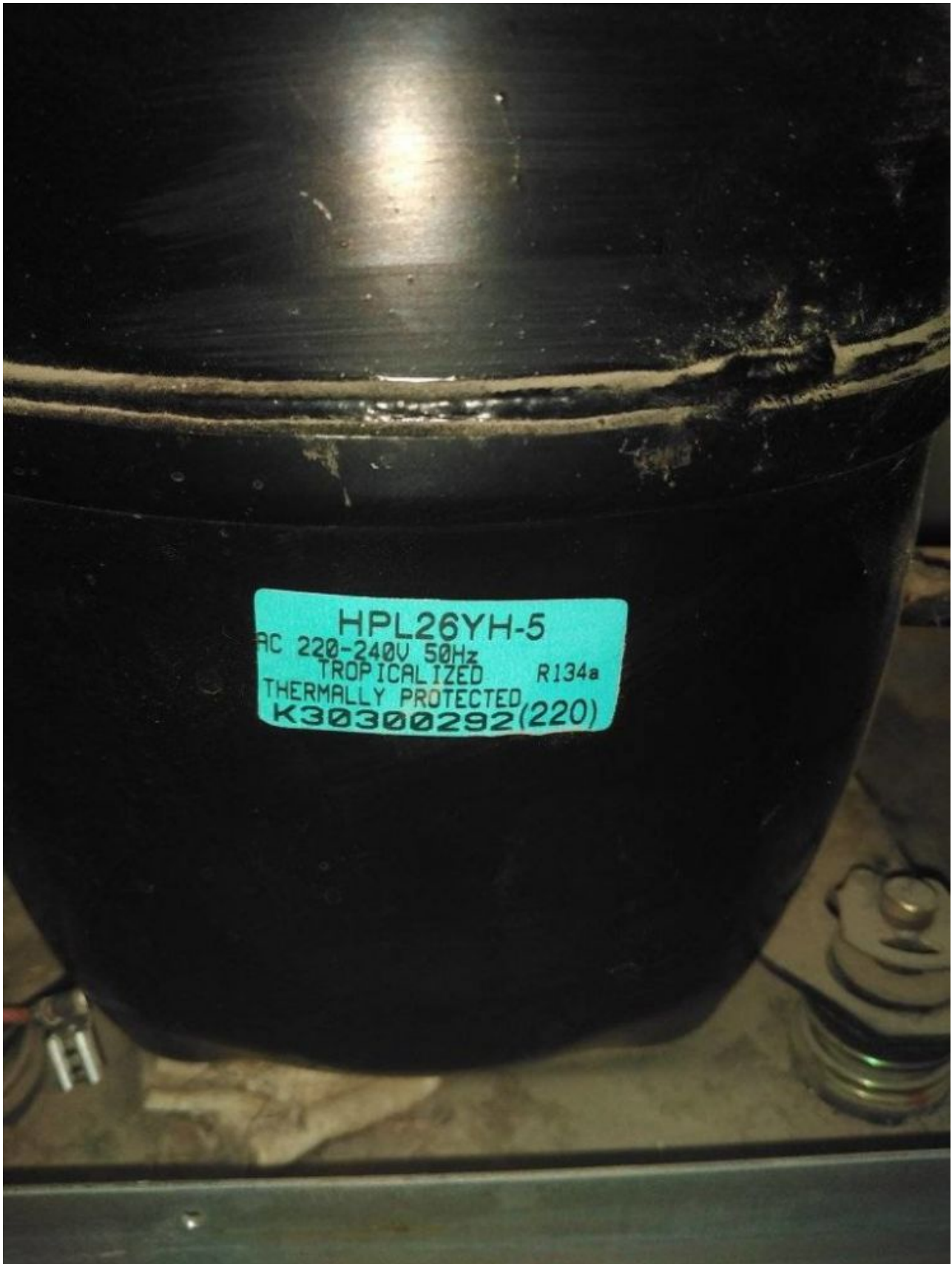
Private Picture Copyright : WWW.MBSM.PRO

Private Picture Copyright : WWW.MBSM.PRO

Mbsm.pro, Compressor, THA125YP, 1/5 Hp, 145 W, Tee compressor, 125 Kcal/c, R134A, Lra 12.6 A, 208-220 vac 50 hz

**Mbsm.pro, Compressor,
hpl26yh-5, Serie YH, 1/4hp,
762 Btu/h, 192 kcal/c, R134A,
LBP, 220-240 v 50HZ**

written by Lilianne | 3 May 2022



Private Picture Copyright: WWW.MBSM.PRO

Mbsm.pro, Compressor, hpl26yh-5, Serie YH, 223 W, 762 Btu/h, 192 kcal/c, R134A, LBP, 220-240 v 50HZ

Mbsm.pro, Compressor, THK1365YGS, NL6FT, 550 Btu/h, 1/5 hp, Lbp, r134a, TECUMSEH, 168 w, TH865JF-010-BA4, MFSATH865CAA00

written by Lilianne | 3 May 2022

EMBRACO X MARKET

EMERSON		TECUMSEH		SECOP		LG		HUWAI	
	BTU/h	Compressor	BTU/h	Compressor	BTU/h	Compressor	BTU/h	Compressor	BTU/h
		THK1330YCF	280	TL4F	283				
		THK1340YCF	365	TL5F	382				
						MA42LPJG	365	HYB41Y	376
		THK1351YJF	445	TLESSF	457				
		THK1352YCF	460	TLES6F	485				
						MA53LJG	496	HYE55YL63	528
		THK1358YCF	500	NL6F	515				
		THK1365YCG	540	NL6FT	532	MA57LJG	548		
		THK1365YGS	540	NL6FT	532				
						MA62LJG	596	HYE60YL63	597
	601	THK1374YFS	600	NL7FT	631				
		THK2390YJE	770	NL9FT	747				
	803			NLY9FK	809				
	963			NL10FT	969				
	1028			SC12FT	1092				
		AE241SYGH	1170	SC15F	1092				
	1267			SC18FT	1320				
	1150			FR6CL	1047				
	1455			NL8.4CLX	1443,28				

Private Picture Copyright: WWW.MBSM.PRO

Mbsm.pro, Compressor, THK1365YGS, NL6FT, 540 Btu/h, 1/6 hp, Lbp, r134a, TECUMSEH, 128 w, TH865JF-010-BA4, MFSATH865CAA00

**Mbsm.pro, COMPRESSOR,
CUBIGEL, GLY12RA, 3/8 HP++,
R134A, HMBP, 220/240V 50HZ**

written by Lilianne | 3 May 2022

cubigel
compressors

GLY12RA

220-240V~50Hz

PH1

R134a

THERMALLY PROTECTED

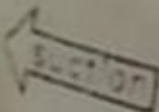


CE EAC

MADE IN SPAIN



08282



Mbsm.pro, COMPRESSOR, CUBIGEL, GLY12RA, 3/8 HP++, R134A, HMBP,
220/240V 50HZ