

cubigel COMPRESSORS AND CONDENSING UNITS

AIREFRIG
AUSTRALIA

CUBIGEL HERMETIC COMPRESSORS & CONDENSING UNITS

COMPRESSORS

R404A (R507) Low Temperature Compressors	2
R404A (R507) Medium Temperature Compressors	3
R134a Low Temperature Compressors	4
R134a Medium Temperature Compressors	5 - 6
R22 Medium Temperature Compressors	6
Compressor Dimensions	7 - 9

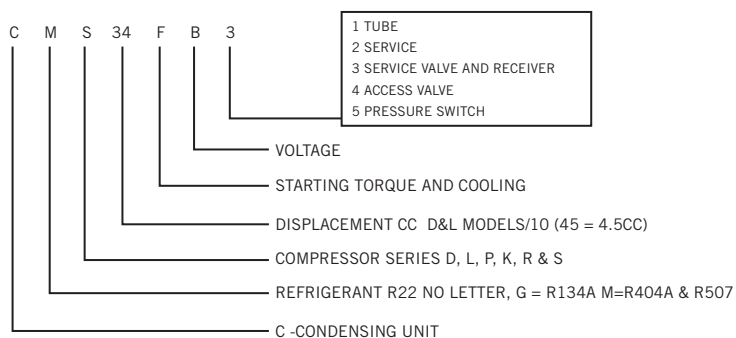
CONDENSING UNITS

R404A (R507) Low Temperature Condensing Units	10 - 11
R404A (R507) Medium Temperature Condensing Units	12 - 13
R134a Medium Temperature Condensing Units	14 - 15
R22 Medium Temperature Condensing Units	16 - 17

SPARE PARTS

Fans & Motor Kits	18
R134a Low & Medium Temperature Compressors	19
R22 Medium Temperature Compressors	20
R404A (R507) Medium Temperature Compressors	20
R404A (R507) Low Temperature Compressors	20
Capacitors	21

NOMENCLATURE



cubigel

Compressors & Condensing Units

Cubigel compressors and condensing units are in more than 150 countries around the world.

Last year Cubigel sold over 55 million domestic products and the number of sales in compressors is just as impressive with over 16% of the worlds market share, Cubigel produces over 22 million compressors a year.

Each product has been designed and tested for specific refrigerants and conditions of each country. Obviously conditions for Australia are completely opposite to that of Switzerland or Russia so when one of the eight manufacturing plants placed around the world sends out a product to a particular country, it has been designed to that countries climate and conditions.

The products imported into Australia are manufactured in the Barcelona factory. Condensing units, commercial and domestic compressors range from 2.44cc upto 34cc and are available in a comprehensive range of refrigerants for today's market.



CUBIGEL HERMETIC COMPRESSORS

R404A (R507) - Low Temperature Commercial Compressors

Airefrig Part Number	H/P	Displ cm ³	Cond Temp °C	Refrigeration Capacity Watts								Cooling	Expansion Device	Motor Type	FLA Amps
				Evaporating Temperature °C											
				-40	-35	-30	-25	-23.3	-20	-15	-10				
ML45FB	1/6	4.60	45.0	87	120	161	212	231	272	341	419	Fan	Capillary TX	CSIR	1.70
			50.0	79	109	148	196	215	253	320	395				
			55.0	70	97	134	180	198	235	299	372				
ML60FB	1/5	6.00	45.0	116	160	213	277	301	351	435	529	Fan	Capillary TX	CSIR	2.00
			50.0	105	146	197	258	281	330	411	503				
			55.0	93	132	180	239	262	308	388	477				
ML80FB	1/4	8.10	45.0	163	217	287	372	404	473	589	721	Fan	Capillary TX	CSIR	2.70
			50.0	148	202	271	356	388	456	572	704				
			55.0	134	187	256	340	372	440	555	686				
ML90FB	1/3	8.85	45.0	186	258	345	447	486	566	700	849	Fan	Capillary TX	CSIR	2.90
			50.0	163	230	312	410	446	523	652	797				
			55.0	140	201	279	372	407	480	605	744				
MP10FB	1/3	10.19	45.0	209	301	409	532	577	670	825	994	Fan	Capillary TX	CSIR	3.30
			50.0	186	272	373	490	533	622	770	933				
			55.0	163	242	337	447	488	573	715	872				
MP12FB	3/8	12.00	45.0	198	301	428	577	633	750	945	1163	Fan	Capillary TX	CSIR	3.50
			50.0	169	264	383	525	578	690	877	1087				
			55.0	140	228	339	473	523	629	809	1012				
MP14FB	1/2	14.00	45.0	233	351	494	661	724	853	1068	1308	Fan	Capillary TX	CSIR	4.40
			50.0	198	312	451	615	676	802	1014	1250				
			55.0	163	274	409	568	628	752	960	1192				
MX16FB	1/2	16.03	45.0	279	406	564	752	823	971	1220	1500	Fan	Capillary TX	CSIR	4.09
			50.0	244	367	519	703	772	917	1161	1436				
			55.0	209	327	475	653	721	862	1102	1372				
MX18FB	5/8	18.39	45.0	314	464	650	871	954	1127	1418	1745	Fan	Capillary TX	CSIR	4.30
			50.0	273	415	592	804	884	1051	1334	1651				
			55.0	233	365	534	737	814	976	1249	1558				
MX21FB	3/4	20.72	45.0	372	540	745	990	1082	1273	1594	1954	Fan	Capillary TX	CSR	5.00
			50.0	329	487	684	920	1009	1194	1507	1858				
			55.0	285	435	623	850	936	1116	1420	1762				
MR22FB-V	2/3	21.75	45.0	302	505	754	1049	1160	1390	1778	2211	Fan	Capillary TX	CSR	5.10
			50.0	244	434	669	951	1057	1278	1652	2072				
			55.0	186	362	584	852	954	1166	1526	1933				
MS26FB-V	3/4	26.16	45.0	395	660	970	1325	1456	1726	2172	2663	Fan	Capillary TX	CSR	6.30
			50.0	320	572	869	1212	1339	1600	2033	2512				
			55.0	244	484	768	1099	1221	1474	1895	2361				
MS30FB-V	7/8	29.95	45.0	442	750	1108	1514	1663	1969	2473	3025	Fan	Capillary TX	CSR	7.10
			50.0	361	654	995	1386	1530	1825	2314	2851				
			55.0	279	557	883	1258	1397	1682	2155	2676				

Legend: V = Rotalock Valves, TX = Thermostatic Expansion Valve, CSIR = Capacitor Start Induction Run, CSR = Capacitor Start and Run

Capacities based on ASHRAE Conditions: ambient 32 deg, subcooled 32 deg, superheated @ 32 deg, return vapour 32 deg.

CUBIGEL HERMETIC COMPRESSORS

R404A (R507) - Medium Temperature Commercial Compressors

Airefrig Part Number	H/P	Displ cm ³	Cond Temp °C	Refrigeration Capacity Watts									Cooling	Expansion Device	Motor Type	FLA Amps
				Evaporating Temperature °C												
				-25	-20	-15	-10	-5	0	5	7.2	10				
ML40TB	1/6	4.04	45.0	188	243	308	382	466	560	663	712	776	Fan	Capillary TX	CSIR	1.95
			50.0	171	219	277	345	423	510	607	652	713				
			55.0	154	195	247	308	379	460	550	593	650				
ML45TB	1/5	4.50	45.0	215	274	345	427	521	626	742	797	870	Fan	Capillary TX	CSIR	2.16
			50.0	195	247	310	385	471	569	678	730	799				
			55.0	174	219	275	343	422	513	614	663	728				
ML60TB	1/4	5.67	45.0	244	319	408	511	629	761	908	977	1069	Fan	Capillary TX	CSIR	2.55
			50.0	218	284	364	459	568	692	830	896	983				
			55.0	192	249	321	407	508	623	752	814	897				
ML80TB	3/8	7.57	45.0	331	440	566	710	871	1049	1246	1337	1459	Fan	Capillary TX	CSIR	3.19
			50.0	292	392	506	637	785	951	1135	1221	1336				
			55.0	262	345	446	564	700	853	1024	1105	1213				
ML90TB	3/8	8.85	45.0	407	528	671	837	1026	1237	1471	1582	1728	Fan	Capillary TX	CSIR	3.93
			50.0	366	474	603	756	931	1129	1350	1454	1593				
			55.0	326	419	536	675	836	1021	1228	1326	1457				
MP10TB	3/7	10.19	45.0	477	627	801	999	1221	1466	1735	1861	2028	Fan	Capillary TX	CSIR	4.93
			50.0	430	565	724	907	1113	1343	1596	1715	1874				
			55.0	384	504	647	814	1005	1219	1458	1570	1720				
MP12TB	1/2	12.00	45.0	558	729	930	1161	1423	1714	2035	2186	2387	Fan	Capillary TX	CSR	3.94
			50.0	494	648	832	1046	1290	1564	1869	2012	2203				
			55.0	430	567	734	930	1157	1414	1702	1838	2019				
MP14TB	1/2	14.00	45.0	686	886	1115	1375	1665	1985	2336	2499	2716	Fan	Capillary TX	CSR	4.91
			50.0	611	790	1000	1240	1510	1810	2141	2296	2501				
			55.0	535	695	885	1105	1355	1635	1946	2092	2287				
MX16TB	3/4	16.03	45.0	704	930	1194	1498	1840	2221	2641	2838	3099	Fan	Capillary TX	CSR	5.40
			50.0	631	831	1070	1348	1664	2020	2414	2599	2846				
			55.0	558	733	946	1198	1489	1818	2187	2361	2594				
MX18TB	7/8	18.39	45.0	814	1062	1355	1693	2076	2504	2976	3198	3494	Fan	Capillary TX	CSR	6.50
			50.0	727	951	1219	1533	1891	2294	2743	2954	3236				
			55.0	640	839	1083	1372	1706	2085	2509	2710	2978				
MR18TB-V (Rotalock) MR18TB-T (Stub Tube)	7/8	18.10	45.0	698	969	1287	1651	2061	2518	3021	3256	3569	Fan	Capillary TX	CSR	6.08
			50.0	593	838	1128	1465	1848	2278	2753	2977	3275				
			55.0	488	706	969	1279	1635	2038	2486	2698	2981				
MX21TB	1.0	20.72	45.0	901	1182	1514	1897	2332	2817	3353	3605	3941	Fan	Capillary TX	CSR	7.10
			50.0	811	1063	1365	1719	2124	2580	3087	3326	3645				
			55.0	721	943	1217	1541	1916	2343	2821	3047	3349				
MS26TB-V	1 3/8	25.93	45.0	1116	1517	1982	2512	3105	3763	4485	4823	5271	Fan	Capillary TX	CSR	8.41
			50.0	948	1312	1740	2232	2789	3410	4095	4416	4844				
			55.0	779	1106	1497	1953	2472	3056	3704	4010	4417				

Legend: V = Rotalock Valves, TX = Thermostatic Expansion Valve, CSIR = Capacitor Start Induction Run, CSR = Capacitor Start and Run

Capacities based on ASHRAE Conditions: ambient 32 deg, sub-cooling 9 deg, superheated @ 35 deg, return vapour 35 deg.

CUBIGEL HERMETIC COMPRESSORS

R134a - Low Temperature Commercial Compressors

Airefrig Part Number	H/P	Displ cm ³	Cond Temp °C	Refrigeration Capacity Watts							Cooling	Expansion Device	Motor Type	FLA Amps
				Evaporating Temperature °C										
				-35	-30	-25	-23.3	-20	-15	-10				
GD24AA	1/20	2.42	45.0	21	34	50	56	69	91	116	Static	Capillary	RSIR	0.70
			50.0	18	30	46	52	64	86	110				
			55.0	15	27	42	48	60	81	105				
GD30AA	1/12	3.05	45.0	34	52	74	82	99	127	158	Static	Capillary	RSIR	0.60
			50.0	31	48	69	77	93	121	151				
			55.0	28	45	65	72	88	114	144				
GD36AA	1/12	3.58	45.0	43	62	86	95	114	146	183	Static	Capillary	RSIR	0.70
			50.0	39	58	81	89	108	139	175				
			55.0	35	53	75	84	102	132	167				
GL45AA	1/8	4.56	45.0	56	81	113	125	151	195	245	Static	Capillary	RSIR	0.87
			50.0	51	76	107	118	144	187	236				
			55.0	46	70	100	112	136	179	227				
GL60AA	1/6	5.99	45.0	74	107	147	163	196	252	315	Static	Capillary	RSIR	1.12
			50.0	68	100	139	155	187	242	305				
			55.0	62	93	132	147	178	232	294				
GL60BH	1/6	5.99	45.0	87	117	156	171	204	262	329	Oil	Capillary	RSCR	0.84
			50.0	81	110	148	163	195	252	318				
			55.0	74	103	140	155	186	242	307				
GL80AA	1/5	8.10	45.0	102	144	197	218	262	338	425	Static	Capillary	RSIR	1.45
			50.0	93	134	187	208	251	327	414				
			55.0	84	125	177	198	241	316	402				
GL80BH	1/5	8.10	45.0	111	150	203	223	267	345	435	Oil	Capillary	RSCR	1.09
			50.0	103	141	193	213	257	334	423				
			55.0	94	133	183	204	247	323	412				
GL90AA	1/4	9.08	45.0	115	163	220	242	288	366	454	Static	Capillary	RSIR	1.65
			50.0	108	155	212	233	279	356	443				
			55.0	101	147	203	224	269	346	433				
GL90BH	1/4	9.08	45.0	115	163	220	242	288	366	454	Oil	Capillary	RSCR	1.20
			50.0	108	155	212	233	279	356	443				
			55.0	101	147	203	224	269	346	433				
GL99BH	1/4	9.93	45.0	126	177	240	263	313	398	494	Oil	Capillary	RSCR	1.28
			50.0	118	169	230	254	303	387	483				
			55.0	110	160	221	244	293	376	471				
GP10FB	1/4	10.19	45.0	130	179	240	263	313	398	496	Fan	Capillary TX	CSIR	1.78
			50.0	120	168	228	251	300	384	481				
			55.0	110	157	216	238	287	370	465				
GP12BB	1/3	12.00	45.0	116	178	252	280	339	437	548	Oil	Capillary	RSIR	2.05
			50.0	109	170	243	271	329	426	536				
			55.0	102	162	234	262	319	415	523				
GP14CB	3/8	14.00	45.0	138	213	303	336	407	525	657	Fan	Capillary	RSIR	2.35
			50.0	130	204	292	325	394	511	643				
			55.0	122	194	281	314	382	498	628				
GP14BB	3/8	14.00	45.0	139	214	303	337	407	525	657	Oil	Capillary	RSIR	2.35
			50.0	130	204	292	325	394	511	642				
			55.0	122	194	281	314	382	498	627				
GP16CB	3/8	16.14	45.0	157	252	360	400	483	618	768	Fan	Capillary	RSIR	2.80
			50.0	145	238	344	383	464	597	744				
			55.0	134	224	328	366	445	576	721				
GP16BB	3/8	16.14	45.0	157	252	361	400	483	618	768	Oil	Capillary	RSIR	2.80
			50.0	145	238	344	383	464	597	744				
			55.0	134	224	328	366	445	576	721				

Legend: TX = Thermostatic Expansion Valve, CSIR = Capacitor Start Induction Run, RSIR = Resistance Start Induction Run, RSCR Resistant Start Capacitor Run

Capacities based on ASHRAE Conditions: ambient 32 deg, subcooled 32 deg, superheated @ 32 deg, return vapour 32 deg.

CUBIGEL HERMETIC COMPRESSORS

R134a - Medium Temperature Commercial Compressors

Airefrig Part Number	H/P	Displ cm ³	Cond Temp °C	Refrigeration Capacity Watts									Cooling	Expansion Device	Motor Type	FLA Amps
				Evaporating Temperature °C												
				-25	-20	-15	-10	-5	0	5	7.2	10				
GL40TB	1/8	4.04	45.0	89	124	166	214	269	330	398	430	473	Fan	Capillary TX	CSIR	1.18
			50.0	79	110	148	192	243	301	365	395	436				
			55.0	70	97	131	171	218	272	332	361	399				
GL45TB	1/6	4.50	45.0	102	138	183	236	297	367	445	482	531	Fan	Capillary TX	CSIR	1.24
			50.0	93	125	165	214	271	336	410	446	493				
			55.0	84	111	147	192	245	306	376	409	454				
GL60TB	1/5	5.67	45.0	128	172	227	293	369	456	554	601	663	Fan	Capillary TX	CSIR	1.56
			50.0	116	156	207	269	341	424	517	562	622				
			55.0	105	140	187	244	312	391	481	523	581				
GL80TB	1/5	7.57	45.0	157	217	290	376	474	585	709	768	846	Fan	Capillary TX	CSIR	1.92
			50.0	140	194	262	342	435	541	659	715	790				
			55.0	122	171	233	308	396	496	609	663	735				
GL90TB	1/4	8.85	45.0	188	259	345	447	564	696	845	915	1009	Fan	Capillary TX	CSIR	2.19
			50.0	173	236	315	409	519	645	786	853	942				
			55.0	157	213	285	372	475	593	727	791	876				
GP12TB	3/8	12.05	45.0	248	354	479	625	791	976	1182	1279	1408	Fan	Capillary TX	CSIR	3.00
			50.0	217	311	425	560	714	888	1083	1174	1297				
			55.0	186	269	371	494	637	800	983	1070	1186				
GP14TB	3/8	14.00	45.0	271	382	516	674	856	1062	1291	1400	1545	Fan	Capillary TX	CSIR	3.57
			50.0	240	340	463	610	781	976	1195	1299	1438				
			55.0	209	298	410	547	707	891	1099	1199	1331				
GP16TB	3/8	16.00	45.0	-	-	-	801	1022	1272	1551	1682	1858	Fan	Capillary TX	CSIR	4.12
			50.0	-	-	-	741	944	1177	1438	1562	1728				
			55.0	-	-	-	680	867	1082	1326	1442	1599				
GX18TB	1/2	18.39	45.0	393	543	724	937	1182	1458	1766	1911	2105	Fan	Capillary TX	CSIR	4.59
			50.0	354	490	658	858	1090	1353	1647	1787	1974				
			55.0	314	437	593	779	998	1248	1529	1663	1842				
GX21TB	5/8	20.72	45.0	444	610	812	1049	1322	1631	1975	2138	2355	Fan	Capillary TX	CSIR	5.30
			50.0	399	550	737	960	1218	1511	1840	1996	2205				
			55.0	355	491	663	870	1113	1391	1705	1855	2055				
GR22TB (Stub Tube)	5/8	21.75	45.0	372	634	923	1240	1584	1956	2355	2539	2782	Fan	Capillary TX	CSIR	5.23
			50.0	302	536	797	1085	1401	1744	2115	2287	2514				
			55.0	233	438	670	930	1218	1533	1876	2035	2246				
GX23TB	5/8	23.20	45.0	499	678	897	1155	1454	1792	2170	2349	2588	Fan	Capillary TX	CSIR	5.70
			50.0	452	616	821	1065	1349	1673	2037	2210	2441				
			55.0	405	555	745	975	1244	1554	1904	2070	2293				
GS26TB-V	3/4	25.93	45.0	446	708	1015	1367	1764	2206	2694	2918	3227	Fan	Capillary TX	CSIR	6.54
			50.0	368	608	894	1224	1600	2021	2487	2706	2998				
			55.0	291	509	773	1082	1436	1835	2279	2489	2768				
GS30TB-V	7/8	29.95	45.0	504	770	1103	1503	1970	2504	3106	3392	3775	Fan	Capillary TX	CSR	5.75
			50.0	426	671	983	1362	1808	2321	2902	3179	3550				
			55.0	349	572	863	1221	1646	2139	2698	2966	3325				
GS34TB-V	1.0	34.42	45.0	756	1110	1519	1984	2504	3079	3710	4000	4396	Fan	Capillary TX	CSR	6.84
			50.0	640	965	1347	1783	2275	2822	3424	3706	4081				
			55.0	523	821	1174	1582	2045	2564	3138	3408	3767				

Legend: V = Rotalock Valves, TX = Thermostatic Expansion Valve, CSIR = Capacitor Start Induction Run, CSR = Capacitor Start and Run

Capacities based on ASHRAE Conditions: ambient 32 deg, sub-cooling 9 deg, superheated @ 35 deg, return vapour 35 deg.

CUBIGEL HERMETIC COMPRESSORS

R134a - Medium Temperature High Efficiency Compressors

Airefrig Part Number	H/P	Displ cm ³	Cond Temp °C	Refrigeration Capacity Watts									Cooling	Expansion Device	Motor Type	FLA Amps
				Evaporating Temperature °C												
				-25	-20	-15	-10	-5	0	5	7.2	10				
GLY90RA	1/4	9.09	45.0	190	254	334	429	540	665	807	873	963	Fan	Capillary TX	CSR	1.84
			50.0	175	234	308	397	502	622	757	822	908				
			55.0	160	213	281	356	464	578	708	770	853				
GPY12RA	3/8	12.1	45.0	300	402	526	673	842	1033	1248	1349	1484	Fan	Capillary TX	CSR	2.46
			50.0	275	368	483	621	782	965	1170	1268	1398				
			55.0	250	334	441	570	722	896	1093	1186	1312				
GPY14RA	3/8	14.32	45.0	372	487	628	794	986	1204	1447	1562	1716	Fan	Capillary TX	CSR	2.92
			50.0	349	454	584	740	922	1129	1362	1473	1621				
			55.0	326	420	540	686	858	1055	1278	1384	1526				
GPY16RAb	3/8	16.15	45.0	411	541	709	896	1121	1364	1647	1778	1957	Fan	Capillary TX	CSR	3.06
			50.0	386	503	658	835	1048	1279	1551	1673	1844				
			55.0	360	465	608	774	972	1195	1455	1571	1735				

Legend: V = Rotalock Valve, TX = Thermostatic Expansion Valve, CSIR = Capacitor Start Induction Run, CSR = Capacitor Start and Run

Capacities based on ASHRAE Conditions: ambient 35 deg, superheated @ 35 deg, return vapour 35 deg

CUBIGEL HERMETIC COMPRESSORS

R22 - Medium Temperature Commercial Compressors

Airefrig Part Number	H/P	Displ cm ³	Cond Temp °C	Refrigeration Capacity Watts									Cooling	Expansion Device	Motor Type	FLA Amps
				Evaporating Temperature °C												
				-25	-20	-15	-10	-5	0	5	7.2	10				
L40TN	1/6	4.04	45.0	145	194	251	318	394	478	572	616	675	Fan	Capillary TX	CSIR	1.64
			50.0	134	178	231	293	364	444	533	576	632				
			55.0	122	161	210	267	334	410	495	535	589				
L45TN	1/5	4.50	45.0	155	208	270	343	426	519	623	671	736	Fan	Capillary TX	CSIR	1.74
			50.0	140	188	246	315	393	481	580	626	688				
			55.0	126	169	223	286	360	443	537	581	641				
L57TN	1/4	5.67	45.0	192	259	338	430	533	649	777	837	917	Fan	Capillary TX	CSIR	2.07
			50.0	174	234	307	392	489	598	719	776	853				
			55.0	156	210	275	354	444	546	661	715	788				
L76TN	3/8	7.57	45.0	279	364	466	585	720	871	1040	1119	1224	Fan	Capillary TX	CSIR	2.91
			50.0	250	327	421	531	658	801	961	1036	1137				
			55.0	221	290	375	477	595	730	882	954	1050				
L88TN	3/8	8.85	45.0	314	417	541	684	848	1032	1236	1332	1460	Fan	Capillary TX	CSIR	3.42
			50.0	291	383	495	627	779	952	1145	1236	1357				
			55.0	267	348	449	570	711	872	1054	1140	1255				
P12TN	1/2	12.00	45.0	412	548	715	911	1137	1393	1679	1814	1995	Fan	Capillary TX	CSR	3.35
			50.0	376	497	647	828	1038	1278	1548	1676	1848				
			55.0	340	445	580	744	939	1163	1417	1539	1701				
X18TN	3/4	18.40	45.0	-	-	1172	1499	1853	2243	2643	2832	3080	Fan	Capillary TX	CSR	6.21
			50.0	-	-	1069	1371	1701	2059	2444	2623	2857				
			55.0	-	-	965	1244	1550	1884	2245	2413	2634				
S22TN-V	7/8	21.77	45.0	647	912	1241	1634	2092	2613	3199	3477	3849	Fan	Capillary TX	CSR	5.79
			50.0	572	804	1101	1461	1886	2375	2929	3192	3546				
			55.0	497	696	960	1289	1681	2137	2658	2907	3243				
S26TN-V	1.0	25.93	45.0	816	1180	1603	2084	2625	3224	3882	4190	4599	Fan	Capillary TX	CSR	7.48
			50.0	725	1053	1439	1885	2390	2954	3576	3869	4258				
			55.0	633	925	1276	1686	2155	2683	3270	3547	3916				

Legend: V = Rotalock Valves, TX = Thermostatic Expansion Valve, CSIR = Capacitor Start Induction Run, CSR = Capacitor Start and Run

Capacities based on ASHRAE Conditions: ambient 32 deg, sub-cooling 9 deg, superheated @ 35 deg, return vapour 35 deg.

CUBIGEL HERMETIC COMPRESSORS

Compressor Dimensions

Refrigerant			Dimensions mm			Foot Print mm		Connections inches			Weight Kg	Oil Charge cm ³	Drawing				
Models								Suct	Charge	Disch							
R22	R134a	R404A	H	L	W	A	B	1	2	3							
	GD24AA		144	228	140	170	70	1/4	1/4	3/16	5.3	200	D				
	GD30AA		154								5.8						
	GD36AA		154								5.9						
	GL40TB			176	240	162	170				102 or 70	8.4	300	L			
	GL45TB			176								8.4					
	GL60TB			191								9.5					
	GL80TB			191								9.5					
	GL45AA			162								8.3					
	GL60AA			170								9.1					
	GL60BH						186				240	162	170		70	10.2	400
	GL80AA						186									9.9	345
	GL80BH						186									10.4	
	GL90BH						198									11.1	470
	GL90AA						186									10.2	345
	GL99BH						198									11.3	470
	GL90TB						204									10.8	300
	GLY90RA						203.5									11.3	400
	ML40TB															191	240
	ML45FB	191	10.2														
	ML45TB	191	9.5														
	ML60FB	191	10.2														
	ML60TB	191	10.2														
	ML80FB	191	10.9														
	ML80TB	204	10.0	400													
	ML90FB		204	11.0	400												
	ML90TB		204	11.6	300												
	L40TN		191	9.5	400												
	L45TN		204	240	162	170 or 165	102 or 70	9.5	300								
	L57TN							204	9.5	300							
	L76TN							204	10.0	470							
	L88TN							204	10.6	400							
	GP10FB							198	11.8	400							
	GP12BB		198	240	162	170 or 165	102 or 70	11.5	350	P							
	GP12TB		204					11.2									
	GP14BB		198					11.5			350						
	GP14CB		204					11.5	400								
	GP14TB		216					11.5									
	GPY12RA		216					12.6									
	GPY14RA		210.55					12.6	L								
	GP16BB		211					12.0	530								
	GP16CB		211					12.0									
	GP16TB		211					13.1									
	MP10FB							216	240		162	170 or 165	102 or 70	12.5	400	P	
	MP10TB													216			12.9
	MP12FB													216			12.0
	MP12TB													216			13.5
	MP14FB													216			13.9
	MP14TB	216		13.5	600												
P12TN								3/8	400								

CUBIGEL HERMETIC COMPRESSORS

Compressor Dimensions

Refrigerant			Dimensions mm			Foot Print mm		Connections inches			Weight Kg	Oil Charge cm ³	Drawing
Models								Suct	Charge	Disch			
R22	R134a	R404A	H	L	W	A	B	1	2	3			
X18TN			221	250			114.3	3/8	3/8		17.8		
	GX18TB		215					5/16			16.0	500	
	GR21TB		211	267					5/16		17.0		
	GX23TB												
		MX16FB	215		174	178				1/4	17.5	650	X
		MX16TB					114				16.8	500	
		MX18FB						3/8			17.3	450	
		MX18TB									17.2	500	
		MX21FB	221	250							17.5	650	
		MX21TB									17.5	500	
		MR18TB-V						1/2 Flare					
		MR18TB-T	222	281	222			1/2			22.7	640	R
		MR22FB-V						1/2 Flare			20.0		
S22TN-V			265						3/8				
S26TN-V			276										
	GS26TB-V		265			203	122			5/16			
	GS30TB-V			219	165			5/8 Flare			22.7	887	S
	GS34TB-V												
		MS26TB-V	276										
		MS30FB-V											
		MS34TB-V						1/2 Flare					

CUBIGEL HERMETIC COMPRESSORS

Compressor Dimensions

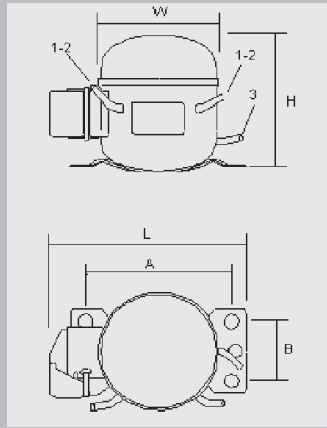


Diagram D

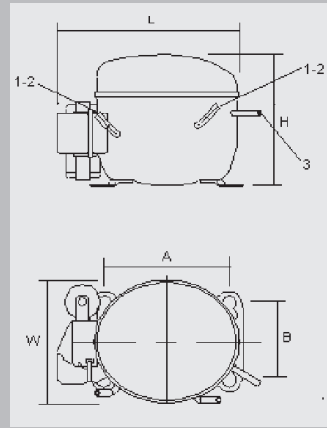


Diagram L

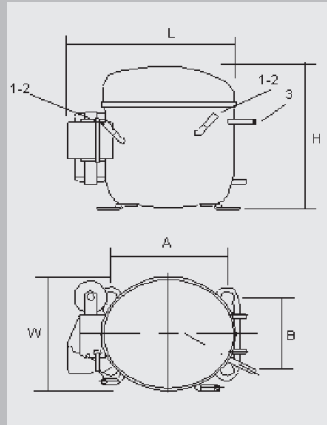


Diagram P

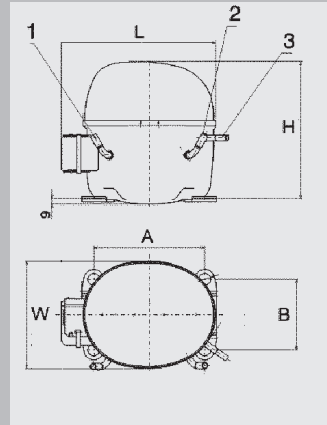


Diagram X

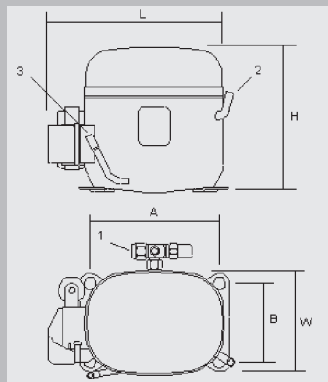


Diagram R

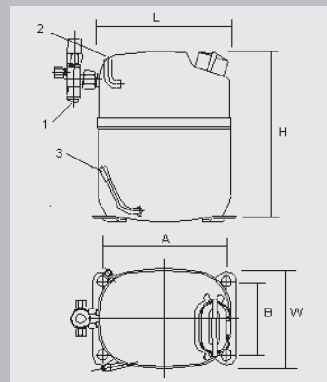


Diagram S

CUBIGEL HERMETIC CONDENSING UNITS

R404a (R507) - Low Temperature

Airefrig Part Number	H/P	Displ cm ³	Ambient Temp °C	Refrigeration Capacity Watts						
				Evaporating Temperature °C						
				-40	-35	-30	-25	-20	-15	-10
CML45FB3N	1/6	4.60	32	95	127	164	207	256	310	370
			38	86	114	148	186	230	279	333
			43	77	103	133	168	207	251	300
CML60FB3N	1/5	6.00	32	122	163	209	261	319	384	454
			38	110	147	188	235	287	346	409
			43	99	132	169	211	258	311	368
CML80FB3N	1/4	8.10	32	169	221	278	338	404	473	548
			38	152	199	250	304	364	426	493
			43	137	179	225	274	327	383	444
CML90FB3N	1/3	8.85	32	195	249	315	395	487	592	709
			38	176	224	284	356	438	533	638
			43	158	202	255	320	394	480	574
CMP12FB3N	3/8	12.00	32	263	346	443	554	677	815	965
			38	237	311	399	499	609	734	869
			43	213	280	359	449	548	660	782
CMP14FB3N	1/2	14.00	32	264	362	470	588	715	852	999
			38	238	326	423	529	644	767	899
			43	214	293	381	476	579	690	809
CMX18FB3N	5/8	18.40	32	358	490	638	797	969	1154	1351
			38	337	463	601	751	912	1087	1272
			43	320	439	570	712	865	1031	1207
CMX21FB3N	3/4	20.0	32	544	686	840	1003	1178	1364	1560
			38	510	642	783	940	1106	1282	1463
			43	486	613	746	895	1051	1211	1389
CMR22FB3N	2/3	21.75	32	355	571	792	1016	1244	1476	1712
			38	320	514	713	914	1120	1328	1541
			43	288	463	642	823	1008	1196	1387
CMS26FB3N	3/4	26.16	32	369	968	1003	1313	1619	1921	2218
			38	332	871	903	1182	1457	1729	1996
			43	299	784	812	1064	1311	1556	1797
CMS30FB3N	7/8	29.95	32	618	875	1148	1435	1737	2054	2385
			38	556	788	1033	1292	1563	1849	2147
			43	501	709	930	1162	1407	1664	1932

Return Gas Temperature 32°C

CUBIGEL HERMETIC CONDENSING UNITS

R404a (R507) - Low Temperature

Model	Dimensions mm			Weight Kg	Connections Inches (mm)		Motor			Fan Motor Ass	Drawing Number
	Length	Width	Height		Suction	Liquid	Type	Watts	FLA Amps		
CML45FB3N	425	325	220	14.5	3/8 (9.5)	1/4 (6.5)	CSIR	226	1.58	410351	303
CML60FB3N	425	325	220	16.5				270	1.77		
CML80FB3N	425	325	220	17.2				345	2.21		
CML90FB3N	425	335	245	19.2				358	2.24	410362	
CMP12FB3N	425	330	245	22.3				470	2.88		
CMP14FB3N	425	330	245	22.3				572	3.38		
CMX18FB3N	510	350	275	28.0	1/2 (12.7)	3/8 (9.5)	CSR	718	3.60	410406	326
CMX21FB3N	510	361	303	30.0				807	4.0	413582	331
CMR22FB3N	540	385	300	34.0				754	3.78	410502	329
CMS26FB3N	525	425	355	39.0				890	4.72	410465	327
CMS30FB3N	545	425	350	39.0				5/8	1130		

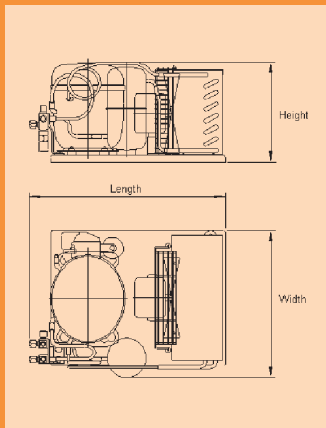


Diagram 303

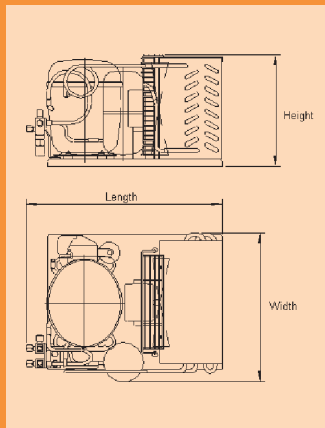


Diagram 308

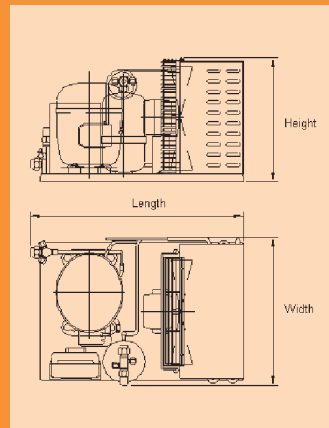


Diagram 326

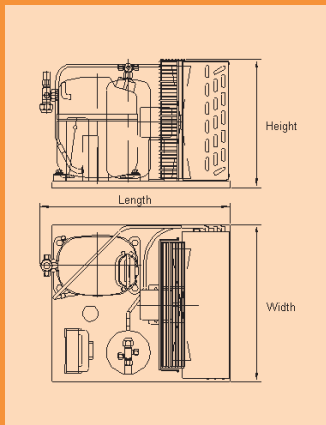


Diagram 327

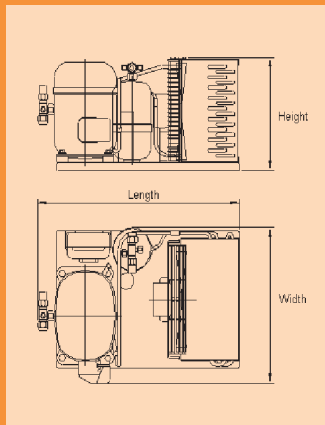


Diagram 329

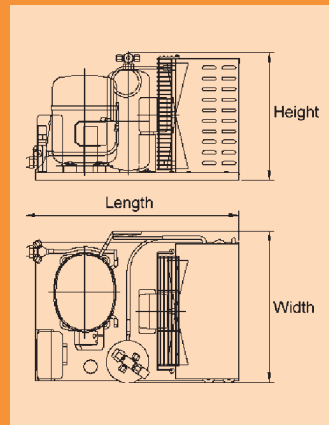


Diagram 331

CUBIGEL HERMETIC CONDENSING UNITS

R404a (R507) - Medium Temperature

Airefrig Part Number	H/P	Displ cm ³	Ambient Temp °C	Refrigeration Capacity Watts							
				Evaporating Temperature °C							
				-25	-20	-15	-10	-5	0	5	10
CML40TB3N	1/6	4.04	32	205	253	309	372	440	516	597	687
			38	189	234	285	343	406	476	551	634
			43	178	220	268	322	381	447	518	596
CML45TB3N	1/5	4.50	32	221	277	338	405	477	555	640	724
			38	204	256	312	373	440	512	590	668
			43	192	240	293	351	413	481	555	628
CML60TB3N	1/4	5.67	32	274	345	421	506	596	693	797	907
			38	253	318	389	466	550	639	735	837
			43	238	299	365	438	517	601	691	787
CML80TB3N	3/8	7.57	32	420	493	584	692	818	961	1122	1300
			38	388	455	539	638	754	886	1035	1199
			43	364	428	506	600	709	833	972	1127
CML90TB3N	3/8	8.85	32	434	545	665	798	940	1094	1258	1433
			38	400	503	614	736	867	1009	1160	1321
			43	376	472	577	692	815	948	1090	1242
CMP12TB3N	1/2	12.00	32	598	755	926	1113	1317	1537	1772	2023
			38	552	696	854	1027	1215	1417	1634	1866
			43	519	655	803	965	1142	1332	1536	1754
CMP14TB3N	1/2	14.00	32	631	810	1002	1208	1429	1662	1911	2172
			38	582	747	924	1114	1318	1533	1762	2004
			43	547	702	869	1047	1239	1441	1657	1883
CMX16TB3N	5/8	16.03	32	751	973	1198	1428	1661	1899	2140	2385
			38	708	916	1129	1345	1564	1788	2015	2246
			43	671	869	1070	1276	1483	1696	1911	2130
CMX18TB3N	7/8	18.40	32	812	1024	1242	1466	1697	1933	2176	2425
			38	765	965	1169	1381	1598	1820	2049	2283
			43	725	915	1109	1310	1516	1726	1944	2165
CMX21TB3N	1.0	20.72	32	872	1073	1302	1562	1842	2170	2518	2896
			38	821	1010	1227	1471	1744	2043	2371	2727
			43	779	958	1163	1395	1654	1879	2249	2587
CMS26TB3N	1 3/8	25.93	32	1218	1553	1911	2289	2690	3113	3557	4023
			38	1124	1433	1762	2111	2481	2871	3280	3711
			43	1056	1347	1657	1984	2333	2699	3084	3488

Return Gas Temperature 35°C

CUBIGEL HERMETIC CONDENSING UNITS

R404a (R507) - Medium Temperature

Model	Dimensions mm			Weight Kg	Connections Inches (mm)		Motor			Fan Motor Ass	Drawing Number	
	Length	Width	Height		Suction	Liquid	Type	Watts	FLA Amps			
CML40TB3N	425	325	235	14.6	3/8 (9.5)	1/4 (6.5)	CSIR	348	2.03	410362	306	
CML45TB3N	425	325	235	14.7				385	2.19			
CML60TB3N	425	330	245	22.7				477	2.77			
CML80TB3N	450	355	270	23.5				570	3.27			
CML90TB3N	425	355	270	23.9				700	3.98			410406
CMP12TB3N	480	425	350	29.8		3/8 (9.5)	CSR	860	4.05	410476		
CMP14TB3N	500	425	350	29.9				1000	4.86	410478		335
CMX16TB3N	495	430	350	30.0				1163	5.77	410476		
CMX18TB3M	500	430	350	33.0				1370	6.95	410476		312
CMX21TB3N	495	455	440	35				1384	6.00	410476		332
CMS26TB3N	515	455	440	43.7	1/2 (12.7)		1772	8.97	410491	330		

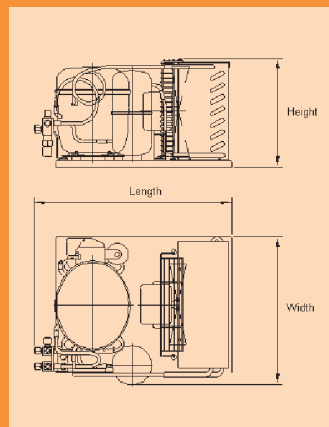


Diagram 306

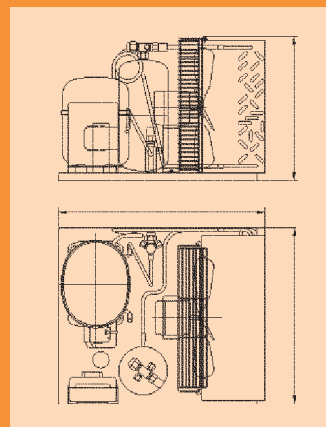


Diagram 312

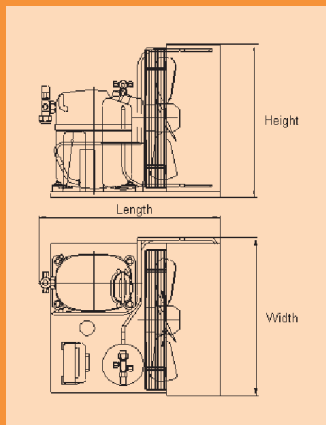


Diagram 330

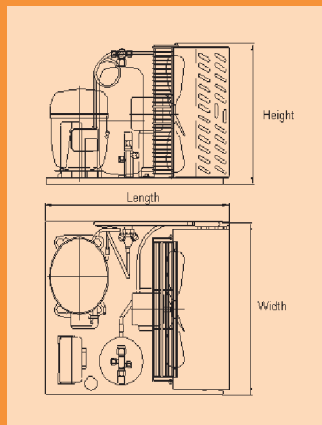


Diagram 335

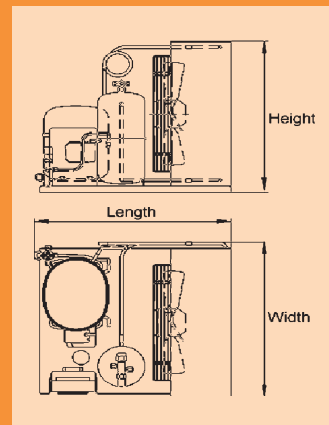


Diagram 332

CUBIGEL HERMETIC CONDENSING UNITS

R134a - Medium Temperature

Airefrig Part Number	H/P	Displ cm ³	Cond Temp °C	Refrigeration Capacity Watts							
				Evaporating Temperature °C							
				-25	-20	-15	-10	-5	0	5	10
CGL45TB3NR	1/6	4.50	32.0	111	147	190	238	295	356	426	503
			38.0	103	136	175	219	272	329	393	464
			43.0	96	128	164	206	255	309	370	436
CGL60TB3NR	1/5	5.67	32.0	134	183	239	302	372	448	533	623
			38.0	124	169	220	278	343	413	491	575
			43.0	116	159	207	262	322	388	462	540
CGL90TB3NR	1/4	8.80	32.0	217	274	352	443	548	666	799	945
			38.0	194	253	325	409	505	615	737	871
			43.0	182	238	305	384	475	578	693	819
CGP12TB3NR	3/8	12.05	32.0	259	353	462	586	724	877	1044	1226
			38.0	238	326	427	541	668	808	963	1131
			43.0	224	306	401	508	628	760	906	1063
CGP14TB3NR	3/8	14.00	32.0	301	399	514	648	800	969	1158	1364
			38.0	277	368	474	598	738	894	1068	1258
			43.0	261	346	446	562	694	840	1004	1182
CGX18TB3N	1/2	18.39	32.0	394	535	695	877	1079	1302	1546	1811
			38.0	372	503	655	825	1017	1226	1456	1705
			43.0	352	477	621	783	964	1163	1381	1617
CGX21TB3N	5/8	20.72	32.0	464	610	783	984	1211	1466	1748	2057
			38.0	437	574	737	926	1141	1380	1646	1937
			43.0	414	545	699	879	1082	1309	1561	1837
CGS26TB3N	3/4	25.93	32.0	541	769	1021	1293	1586	1900	2236	2594
			38.0	499	710	941	1192	1463	1753	2062	2392
			43.0	469	667	885	1121	1375	1648	1939	2249
CGS30TB3N	7/8	29.95	32.0	627	880	1170	1498	1862	2265	2705	3182
			38.0	579	811	1079	1381	1718	2089	2495	2935
			43.0	544	763	1014	1298	1615	1964	2345	2758
CGS34TB3N	1.0	34.42	32.0	707	1001	1324	1673	2049	2452	2883	3340
			38.0	652	923	1221	1543	1890	2262	2659	3081
			43.0	613	868	1148	1450	1776	2126	2500	2896

Return Gas Temperature 35°C

CUBIGEL HERMETIC CONDENSING UNITS

R134a - Medium Temperature

Model	Dimensions mm			Weight Kg	Connections Inches (mm)		Motor			Fan Motor Ass	Drawing Number	
	Length	Width	Height		Suction	Liquid	Type	Watts	FLA Amps			
CGL45TB3NR	425	325	210	14.5	3/8 (9.5)	1/4 (6.5)	CSIR	237	1.43	410351	301	
CGL60TB3NR			235	17.0				270	1.67			410362
CGL90TB3NR		340	245	18.5				385	2.29			
CGP12TB3NR		350	270	20.0				602	3.59	410406		333
CGP14TB3NR				21.5				665	4.02			
CGX18TB3N	510	361	297	26.0	3/8 (9.5)		CSR	845	5.10	410432	311	
CGX21TB3N	480	450	312	29.0				1001	5.84	410454	301	
CGS26TB3N	525	425	355	36.0				1120	6.85	410465	318	
CGS30TB3N	545	425	350	39.0				5/8 (15.8)	1170			6.35
CGS34TB3N									1352			6.95

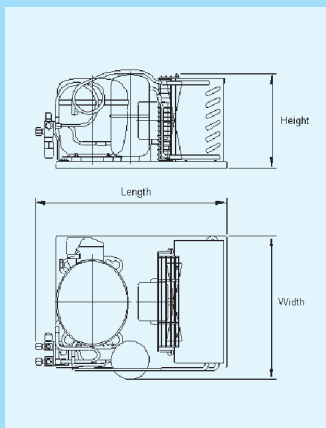


Diagram 301

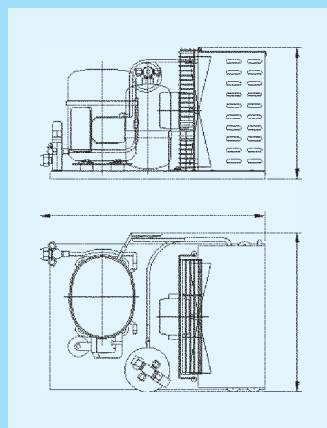


Diagram 311

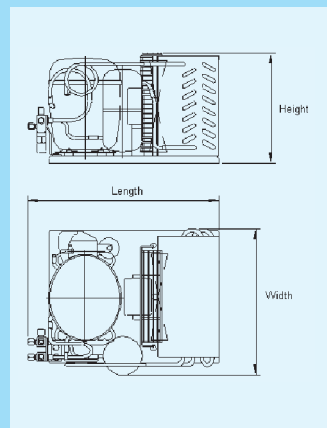


Diagram 333

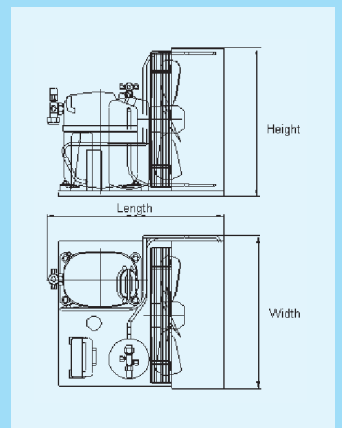


Diagram 318

CUBIGEL HERMETIC CONDENSING UNITS

R22 - Medium Temperature

Airefrig Part Number	H/P	Displ cm ³	Cond Temp °C	Refrigeration Capacity Watts							
				Evaporating Temperature °C							
				-25	-20	-15	-10	-5	0	5	10
CL40TN3MR	1/6	4.04	32.0	169	214	269	333	407	490	584	686
			38.0	156	198	248	307	375	452	539	633
			43.0	-	-	-	-	-	-	-	-
CL45TN3MR	1/5	4.50	32.0	176	228	289	359	439	527	625	731
			38.0	162	210	267	332	405	486	577	675
			43.0	-	-	-	-	-	-	-	-
CML60TB3N	1/4	5.67	32.0	-	-	383	466	559	660	757	862
			38.0	-	-	354	429	516	608	698	795
			43.0	-	-	332	403	485	572	656	748
CML80TB3N	3/8	7.57	32	-	-	531	637	767	915	1066	1235
			38	-	-	490	587	707	843	983	1139
			43	-	-	460	552	665	793	923	1071
CML90TB3N	3/8	8.85	32.0	-	-	605	734	882	1041	1195	1361
			38.0	-	-	559	677	813	961	1102	1255
			43.0	-	-	525	637	764	902	1036	1180
CMP12TB3N	1/2	12.00	32.0	-	-	843	1024	1235	1463	1683	1922
			38.0	-	-	777	945	1140	1349	1552	1773
			43.0	-	-	731	888	1071	1268	1459	1666
CMX18TB3M	7/8	18.40	32.0	-	-	1130	1348	1591	1840	2067	2303
			38.0	-	-	1063	1270	1498	1732	1946	2168
			43.0	-	-	-	-	-	-	-	-
CMX21TB3N	1.0	20.72	32.0	-	-	1185	1437	1728	2066	2392	2751
			38.0	-	-	1117	1353	1636	1945	2252	2591
			43.0	-	-	1059	1283	1551	1789	2137	2458
CMS26TB3N	1 3/8	25.93	32.0	-	-	1739	2106	2523	2964	3379	3822
			38.0	-	-	1603	1942	2327	2733	3116	3525
			43.0	-	-	1508	1825	2188	2569	2930	3314

Return Gas Temperature 35°C

CUBIGEL HERMETIC CONDENSING UNITS

R22 - Medium Temperature

Model	Dimensions mm			Weight Kg	Connections Inches (mm)		Motor			Fan Motor Ass	Drawing Number
	Length	Width	Height		Suction	Liquid	Type	Watts	FLA Amps		
CL40TN3MR	425	327	235	21.0	3/8 (9.5)	1/4 (6.5)	CSIR	295	1.79	410362	316
CL45TN3MR	425	327	235					324	1.91		
CML60TB3N	425	330	245	477				2.77			
CML80TB3N	450	345	270	570				3.27			
CML90TB3N	425	355	270	700		3.98	410406	306			
CMP12TB3N	480	425	350	860		4.05					
CMX18TB3M	500	430	350	33.0		3/8 (9.5)	CSR	1370	6.95	410476	312
CMX21TB3N	495	455	440	35.0				1384	6.00		
CMS26TB3N	515	455	440	43.7	1/2 (12.7)	1772		8.97	410491	330	

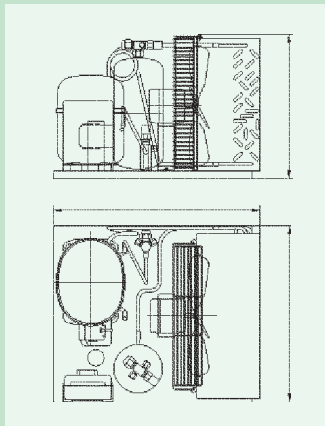


Diagram 312

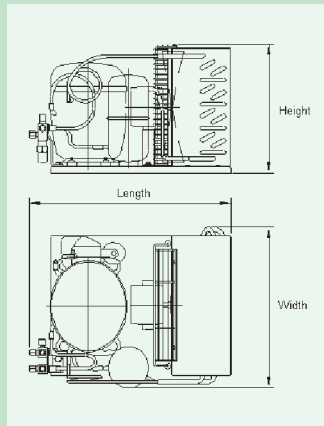


Diagram 316

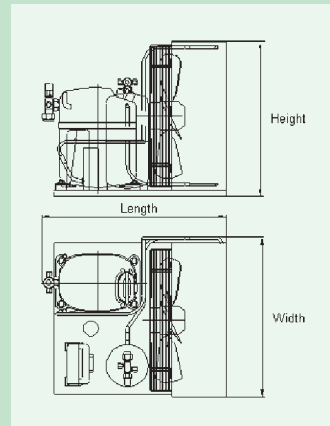


Diagram 330

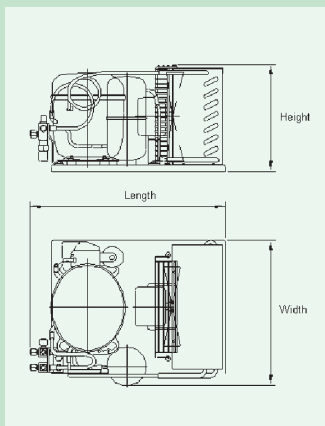


Diagram 306

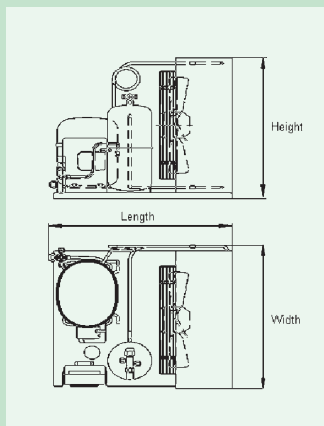


Diagram 332

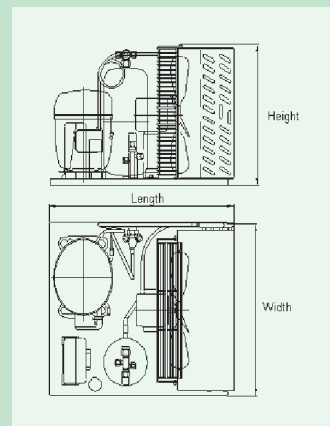


Diagram 335

CUBIGEL HERMETIC CONDENSING UNITS

CUBIGEL SPARES - Fan & Motor Kits

Condensing Unit Model	Fan Motor Kit	Fan Motor	Fan Blade	Mounting Bracket
	Airefrig Part Number	Airefrig Part Number	Airefrig Part Number	Airefrig Part Number
CGL45TB3NR	410351	109222	109211	109174
CGL60TB3NR	410362		108673	109185
CGL80TB3NR				
CGL90TB3NR				
CGP10TB3NR	410406	103880	108684	109200
CGP12TB3NR				
CGP14TB3NR				
CGX18TB3N	410432	111580	108695	108220
CGX21TB3N	410454			109152
CGS26TB3N	410465	109502	109491	109163
CGS30TB3N				
CGS34TB3N				
CL40TN3MR	410362	109222	108673	109185
CL45TN3MR				
CP12TN3MR	410513	109502	108695	108220
CML40TB3N	410362	109222	108673	109185
CML45TB3N				
CML60TB3N				
CML80TB3N	410406	103880	108684	109200
CML90TB3N				
CMP12TB3N	410476	109502	108710	109163
CMP14TB3N				
CMX16TB3N				
CMX18TB3N				
CMX21TB3N				
CMS26TB3N	110541			
CML45FB3N	110552			
CML60FB3N	410351	109222	109211	109174
CML80FB3N				
CML90FB3N				
CMP12FB3N	410362	109222	108673	109185
CMP14FB3N				
CMX18FB3N	410406	103880	108684	108200
CMX21FB3N	410502			108220
CMR22FB3N				
CMS26FB3N	410465	109502	109491	109163
CMS30FB3N				

CUBIGEL HERMETIC COMPRESSORS
CUBIGEL SPARES - Relays and Overloads

Relays			Overloads	
Compressor Model	Airefrig Part Number	Relay Number	Airefrig Part Number	Overload Number
R134a Low Temperature Compressors				
GD24AA	111591	PTC3003.6	104285	T0320-24
GD30AA			104296	T0358-24
GD36AA			106536	4TM205NFBYY-51
GL45AA			104683	MRP318LZ-3201
GL60AA			106540	4TM265NFBYY-51
GL60BH	111602	PTC3003.7	106536	4TM205NFBYY-51
GL80AA	111591	PTC3003.6	106551	4TM308NFBYY-51
GL80BH	111602	PTC3003.7	105906	4TM276NFBYY-51
GL90AA			107004	T0490-24
GL90BH			105906	4TM276NFBYY-51
GL99BH			106551	4TM308NFBYY-51
GL99AL				
GP10FB	101813	MTRP40-27	112276	T0138-22
GP12BB	101824	MTRP43-27	102196	
GP14BB	102771	9660A2008		
GP14CB			T0173-22	
GP16BB	101846	MTRP48-27	112125	T0108-22
GP16CB			102196	T0137-22
R134a Medium Temperature Compressors				
GL40TB	112486	MTRP26-27	112265	T0068-22
GL45TB				
GL60TB	105534	MTRP33-27	111650	T0069-22
GL80TB	105523	MTRP38-27	102196	T0137-22
GL90TB	101824	MTRP43-27	110611	T0057-22
GP12TB			111661	T0181-22
GP14TB	101846	MTRP48-27	110622	T0425-22
GP16TB	122393	MTRP51-27		
GX18TB	123583	MRT57	110994	T0348-G1
GX21TB	123605	MTRP16	111355	T0535G
GX23TB	123605	MTRP16	116071	T0260G
GS26TB-V	112405	3ARR18A79B	110983	MRA38088-3007
GS30TB-V	101883	3ARR3A3AV3	112044	T0535-G2
GS34TB-V			116045	T0161-30

CUBIGEL HERMETIC COMPRESSORS
CUBIGEL SPARES - Relays and Overloads

Relays			Overloads	
Compressor Model	Airefrig Part Number	Relay Number	Airefrig Part Number	Overload Number
R22 Medium Temperature Compressors				
L40TN	105534	MTRP33-27	111650	T0069-22
L45TN	101780	9660B2008	112280	T0322-22
L57TN	101813	9660B2008131	111635	T0168-22
L76TN	101824	MTRP43-27	105873	MRA380031-3007
L88TN	101846	MTRP48-27	110622	T0425-22
P12TN	101426	3ARR3BAP3	116060	T0267-G2
X18TN	106256	3ARR3B10_S3	110016	T0534-G2
S22TN-V	101426	3ARR3BAP3	112044	T0535-G2
S26TN-V	101415	3ARR3B3AP3	101592	MRT00AHK-3216
R404A Medium Temperature Compressors				
ML40TB	105534	MTRP33-27	101651	MRP304AMN-3007
ML45TB	105523	MTRP38-27	110611	T0057-22
ML60TB	101813	9660A2008-131	111635	T0168-22
ML80TB	101824	MTRP43-27	111661	T0181-22
ML90TB	101846	MTRP48-27	110622	T0425-22
MP10TB	101850	MTRP55-27	110994	T0348-G1
MP12TB	101426	3ARR3B3AP3	110261	MRA38130-3216
MP14TB			112055	T0348-G2
MX16TB	101415	3ARR3B10AS3	119044	T0253-G2
MX18TB	101415	3ARRSB10AS3	110224	MRA38123-3216
MR18TB-V / T	101426	3ARR3B3AP3	116056	T0666-30
MX21TB	101415	3ARRSB10AS3	129076	T0534-G
MS26TB-V			110224	MRA38123-3216
R404A Low Temperature Compressors				
ML45FB	105534	MTRP33-27	111646	T0073-22
ML60FB	105523	MTRP38-27	111650	T0069-22
ML80FB	102771	9660A2008	102196	T0137-22
ML90FB			103740	T0102-22
MP10FB	122393	MTR51-27	111366	T0266/G1
MP12FB	101846	MTRP48-27	102104	MRP36AMK-3007
MP14FB	122393	MTR51-27	110622	T0425-22
MX16FB	123583	MTRP57-31	107343	T0103-22
MX18FB	101426	3ARR3B3AP3	112954	T0268G
MX21FB	101894	3ARR3A10AA3	112055	T0348G2
MR22FB-V	101894	3ARR3A10AA3	112210	T0103-30
MS26FB-V				
MS30FB-V	101426	3ARR3B3AP3	112033	T0452-30

CUBIGEL HERMETIC COMPRESSORS

CUBIGEL SPARES - Capacitors

Start Capacitors		
Compressor Model	Capacitor	Airefrig Part Number
GL40TB	50 MFD-250V	123126
GL45TB		
GL60TB		
GL80TB		
GL90TB		
GP12TB		
GP14TB		
GP16TB	72-88 MFD-330V	121866
GX18TB	64-77 MFD-330V	123303
GX21TB	72-88 MFD-330V	121866
GX23TB		
GS26TB-V	64-77 MFD-330V	108861
GS30TB-V	72-88 MFD-330V	104613
GS34TB-V	88-108 MFD-330V	123340
L40TN	50 MFD-250V	123126
L45TN		
L57TN		
L76TN		
L88TN	47-56 MFD-330V	121855
P12TN	47-56 MFD-330V	104403
S22TN-V		
S26TN-V	88-108 MFD-330V	123340
ML40TB	47-56 MFD-330V	121855
ML45TB		
ML60TB		
ML80TB		
ML90TB		
MP10TB		
MP12TB		
MP14TB		
MP14TB		
MX16TB	64-77 MFD-330V	110272
MX18TB	47-56 MFD-330V	104403
MR18TB-V		
MX21TB	72-88 MFD-330V	104613
MS26TB-V	88-108 MFD-330V	123340
ML45FB	50 MFD-250V	123340
ML60FB		

Start Capacitors		
Compressor Model	Capacitor	Airefrig Part Number
ML80FB	47-56 MFD-330V	121855
ML90FB		
MP10FB		
MP12FB		
MP14FB	72-88 MFD-330V	121866
MX16FB	64-77 MFD-330V	108861
MX18FB	47-56 MFD-330V	104403
MX21FB	72-88 MFD-330V	104613
MR22FB-V		
MS26FB-V	88-108 MFD-330V	123340
MS30FB-V		

Run Capacitors		
GL60BH	3 MFD-400V	109406
GL80BH	6 MFD-400V	107251
GL90BH		
GL99BH		
GL99AL		
GS30TB-V		
GS34TB-V	16 MFD-370V	122824
P12TN	10 MFD-370V	105884
S22TN-V	16 MFD-370V	122824
S26TN-V		
S34UN	25 MFD-370V	101275
MP12TB	16 MFD-400V	121881
MP14TB		
MR18TB-V		
MX18TB	16 MFD-400V	125440
MX21TB	20 MFD-450V	182840889850
MS26TB-V	20 MFD-400V	124143
MX18FB	16 MFD-400V	125440
MX21FB	16 MFD-400V	
MS26FB-V	16 MFD-400V	121881
MS30FB-V	20 MFD-400V	124143

AIREFRIG AUSTRALIA

WESTERN AUSTRALIA

75 Beechboro Road,
Bayswater, WA, 6053
Telephone: (08) 9272 8977
Facsimile: (08) 9370 2868

4 Sleeman Close,
O'Connor, WA, 6163
Telephone: (08) 9314 1441
Facsimile: (08) 9337 4192

17/8 Baretta Road,
Wangara, WA, 6065
Telephone: (08) 9309 9300
Facsimile: (08) 9309 9611

VICTORIA

29 Geddes Street,
Mulgrave, VIC, 3170
Telephone: (03) 9561 7200
Facsimile: (03) 9561 7911

18 Macquarie Drive,
Thomastown, VIC, 3074
Telephone: (03) 9464 3844
Facsimile: (03) 9464 3833

NEW SOUTH WALES

64 Gibson Avenue,
Padstow, NSW, 2211
Telephone: (02) 8708 8333
Facsimile: (02) 8708 5334

10/4 Avenue of Americas,
Newington, NSW, 2127
Telephone: (02) 9648 1414
Facsimile: (02) 9648 1717

SOUTH AUSTRALIA

10 Wirriga Street,
Regency Park, SA, 5010
Telephone: (08) 8345 2201
Facsimile: (08) 8345 2401

QUEENSLAND

127 Gardens Drive,
Willawong, QLD, 4110
Telephone: (07) 3272 4844
Facsimile: (07) 3272 4644

29 - 35 Huntington Place,
Banyo, QLD, 4014
Telephone: (07) 3267 0888
Facsimile: (07) 3267 0111

FREE CALL 1800 671 500

Email: sales@airefrig.com.au
www.airefrig.com.au

cubigel