



扎努西电气机械天津压缩机有限公司
中国天津港保税区(空港)保税路3号
电话: +86 22 84861686
传真: +86 22 84861687
邮箱:sales@zeltj.com

ZANUSSI ELETTROMECCANICA COMPRESSOR TIANJIN CO.,LTD
ADDRESS: NO.3 BAOSHUI ROAD, TIANJIN PORT FREE TRADE ZONE
(AIRPORT INDUSTRIAL PARK), TIANJIN CITY,PR CHINA
ZIP CODE: 300308
PHONE: +86 22 84861686
FAX: +86 22 84861687

GENERAL CATALOGUE

COMPRESSORS

R600a - R134a

All solutions inside.



ALL SOLUTIONS INSIDE
GENERAL CATALOGUE

LAMBDA
TECHNICAL DATA

ZETA
TECHNICAL DATA

VARIABLE SPEED
TECHNICAL DATA

COMMERCIAL PRODUCTS
TECHNICAL DATA

TAU
TECHNICAL DATA

TAU-North American Range
TECHNICAL DATA

TAU-Japan Range
TECHNICAL DATA

LAMBDA/ZETA/TAU
OUTLINE DRAWINGS
ELECTRIC WIRING DIAGRAM
MOUNTING ACCESSORIES
TECHNICAL DRAWINGS

We lead the refrigeration world.

扎努西电气机械天津压缩机有限公司(ZEL)前身为天津海河电冰箱压缩机公司,早在上世纪60年代,ZEL就开始借鉴国外技术研制、生产冰箱用压缩机;1987年,公司引进欧洲最先进的扎努西压缩机制造技术和生产线,以许可证的方式开始生产ZEL品牌的压缩机;1993年,与意大利扎努西建立了国内压缩机行业的第一家合资企业,并最早通过国际知名认证机构的质量体系认证,率先完成CFCs替代。多年来ZEL的产品一直得到国内外知名客户的一致好评。2013年,在制冷行业全球性优化重组的背景下,通过股权更迭,航天振邦精密机械有限公司成为了ZEL新的控股股东,带来了雄厚的资金支持和航天军工领域以及压缩机行业生产设备和零部件加工方面的丰富经验。

ZEL专业从事全封闭活塞式压缩机产品的研发和制造,产品可广泛应用于冰箱、冷柜及各种小型商用制冷设备。ZEL的产品范围广、种类齐全,覆盖了从R134a到R600a,从低背压(LBP)到中高背压(HMBP),从定频到变频的范围,并能满足全球不同区域电压的需求。产品种类包括了自意大利引进的Tau和独立研发的Lambda,Zeta小型高效制冷压缩机共三大平台200多个型号规格。

随着新股东的进入,ZEL在新产品开发和技术创新方面将继续保持活力,并且进一步完善质量管理体系,提高产品品质和顾客满意度,ZEL将以全新的面貌积极参与市场竞争,加快推出更多优质、高效的压缩机产品,谱写扎努西牌新的辉煌。

Zanussi Elettromeccanica Tianjin Compressor Co., Ltd (ZEL) was the pioneer in hermetic compressor manufacturing in China. It started to produce household refrigerating compressor in 1960s, as licensee of Zanussi Elettromeccanica - Italy in 1987, and to become the first joint-venture company in domestic compressor industry in 1993. The strategic partnership with ACC has provided ZELT with state of art technologies, products and manufacturing systems, which were for many years bench-mark for all other Chinese producers. For many years ZEL was recognized as reliable producer of high quality products and as such has been awarded by many domestic and overseas customers. In 2013, Beijing Zhenbang Aerospace Precision Machinery Co., Ltd has become ZEL's main shareholder by acquiring equity share from ACC Italy. Zhenbang's technological leadership in the areas of precision machinery, aerospace, military and compressor products together with solid financial background have enabled strong ZEL's restructuring program with significant capital expenditures in quality improvement, capacity increasing and launching of new high performance products.

ZEL develops and manufactures refrigerating hermetic compressors. Three platforms include Tau licensed from Italy and independent development of compact, high efficiency Lambda and Zeta series. With more than 200 models are covering LBP and HMBP applications for household refrigerators, chest freezers and small size commercial applications. Wide variety of voltage ranges is available with constant and variable speed design for R600a and R134A refrigerant.

Successful restructuring process will make ZEL appear in the market competition with brand-new faces, and compose its new refulgent by accelerating launch more good quality and high performance products.

mini compressors a major innovation

小型、高效、绿色环保压缩机

Lambda

R600a, ASHRAE LBP工况条件下,
制冷量范围100W~170W, COP最高达2.00W/W

R134a, AHAM工况条件下,
制冷量范围145W~200W, COP最高达2.08W/W

Performance

Lambda and Zeta represent an ideal solution from small to medium refrigerators. Maximum COP of 2.00W/W* of Lambda while 1.98W/W* of Zeta with aluminum motor, combines top efficiency with compact dimensions in order to optimize performance in our customer's appliance.

*220-240V/50Hz, R600a, ASHRAE LBP conditions

Environment

ZEL has a consolidated tradition in environmentally friendly solutions. It has historically been the first compressor manufacturer to shift to non-CFC coolants starting in 1992, leading the transition to ozone safe technologies and also in choosing the R600a refrigerant. Lambda and Zeta are a further step towards innovation and energy-saving.

A global solution

A perfect complement to the Kappa Dual family, Lambda has been developed both in R600a and R134a version. ZEL strives to provide customers with competitive solutions suitable for all markets, to guarantee both local and international manufacturers with state-of-the-art compressors.

Compactness

Compared to ZEL's other platforms with similar performance characteristics, Lambda and Zeta represent a compact alternative with a 7% height reduction which allows to our customers to benefit with potential cabinet net volume increase.

Zeta

脱胎于Lambda平台的突破性产品,
目标是提供更具性价比的高效压缩机平台。

R600a, ASHRAE LBP工况条件下,
制冷量范围80W~140W, 铝电机版本COP最高达1.98W/W



Lambda

R600a

型号 Model	电机 Motor	排气量 Displ.	电机 功率 Power	电机 类型 Motor Type	频率 Freq.	制冷量 Cooling Capacity	输入功率 Input Power		性能系数		运行电容 Run Capacitor	高度 Height (h)	净重 Net Weight
							without RC	with RC	COP without RC	COP with RC			
		cc	hp		hz	w	w	w	w/w	w/w	µF	mm	kg
220-240V/50Hz													
普效系列 Standard Efficiency Range													
HML140A	Al	8.0	1/8	RSIR/RSCR	50	140	96	90	1.46	1.56	3	152	6.3
中效系列 Medium Efficiency Range													
HDL100A	Al	5.7	1/10	RSIR/RSCR	50	98	65	60	1.50	1.64	2.5	161	6.9
HDL125A	Al	7.0	1/10	RSIR/RSCR	50	125	77	71	1.62	1.75	2.5	164	7.2
HDL140A	Al	8.0	1/8	RSIR/RSCR	50	140	86	80	1.63	1.76	2.5	164	7.2
高效系列 High Efficiency Range													
HXL100A	Cu	5.7	1/15	RSCR	50	98		52		1.88	2	161	7.3
HXL125A	Cu	7.0	1/10	RSCR	50	125		65		1.91	2	161	7.3
HXL140A	Cu	8.0	1/10	RSCR	50	140		73		1.91	2	161	7.3
HXL170A*	Cu	9.3	1/8	RSCR	50	170		89		1.91	2	161	7.3
超高效系列 Top Efficiency Range													
HPL100A*	Cu	5.7	1/14	CSCR	50	100		50		2.00	2	161	7.3
HPL125A*	Cu	7.0	1/12	CSCR	50	125		63		2.00	2	161	7.3
HPL140A*	Cu	8.0	1/10	CSCR	50	140		70		2.00	2	161	7.3
220-240V/60Hz													
中效系列 Medium Efficiency Range													
HDL125F*	Al	5.7	1/8	RSIR/RSCR	60	125	81	76	1.55	1.65	3	164	7.2
HDL140F*	Al	7.0	1/8	RSIR/RSCR	60	140	90	85	1.55	1.65	3	164	7.2
HDL160F*	Al	8.0	1/6	RSIR/RSCR	60	160	103	97	1.55	1.65	3	164	7.2
115V/60Hz 北美电压 North American range													
中效系列 Medium Efficiency Range													
HDL100D	Al	4.9	1/10	RSIR/RSCR	60	100	65	61	1.55	1.65	10	161	6.9
HDL125D	Al	6.3	1/8	RSIR/RSCR	60	125	78	74	1.60	1.70	10	161	6.9
HDL140D	Al	7.0	1/8	RSIR/RSCR	60	140	90	85	1.55	1.65	10	161	6.9
100V/50-60Hz 日本电压 Japan range													
中效系列 Medium Efficiency Range													
HDL100J	Cu	6.3	1/10	RSIR/RSCR	50	98	60	56	1.63	1.74	10	161	7.3
						60	76	70	1.64	1.77			
HDL125J	Cu	7.0	1/10	RSIR/RSCR	50	123	77	72	1.60	1.72	10	161	7.3
						60	85	79	1.68	1.80			

注 NOTE

冷却方式	Cooling Type	蒸发温度	Evaporating temperature	-23.3°C
静态冷却	Static Cooling	冷凝温度	Condensing temperature	54.4°C
应用条件	Application	过冷温度	Subcooling temperature	32.2°C
低背压	LBP	吸气温度	Suction temperature	32.2°C
*即将发布	Release on progress	环境温度	Ambient temperature	32.2°C

测试工况

TEST CONDITIONS(ASHRAE)	
蒸发温度	Evaporating temperature
冷凝温度	Condensing temperature
过冷温度	Subcooling temperature
吸气温度	Suction temperature
环境温度	Ambient temperature

单位换算 CONVERSION

1 Watt = 3.41 Btu/h = 0.86 kcal/h

Lambda

R134a

型号 Model	电机 Motor	排气量 Displ.	电机功率 Power	电机类型 Motor Type	频率 Freq.	制冷量 Cooling Capacity	输入功率		性能系数		运行电容 Run Capacitor	高度 Height (h)	净重 Net Weight
							Input Power without RC	Input Power with RC	COP without RC	COP with RC			
		cc	hp		hz	w	w	w	w/w	w/w	µF	mm	kg
220-240V/50Hz													
普效系列 Standard Efficiency Range													
GML140A	AI	4.9	1/6	RSIR	50	140	112	92	1.25	1.25	-	152	6.3
GML160A	AI	5.7	1/6	RSIR	50	160	128	92	1.25	1.25	-	161	7.0
GML180A	AI	6.5	1/5	RSIR	50	180	144	92	1.25	1.25	-	161	7.0
GML200A	AI	7.0	1/5	RSIR	50	200	160	92	1.25	1.25	-	164	7.3
115V/60Hz													
普效系列 Standard Efficiency Range													
GML145D	AI	4.4	1/7	RSIR/RSCR	60	145	97	92	1.50	1.57	10	164	7.0
GML175D	AI	4.9	1/6	RSIR/RSCR	60	175	118	112	1.48	1.56	10	164	7.0
中效系列 Medium Efficiency Range													
GDL145D	Cu	4.4	1/8	RSIR/RSCR	60	145	94	87	1.55	1.67	10	161	7.3
GDL175D	Cu	5.3	1/6	RSIR/RSCR	60	175	112	106	1.56	1.65	10	161	7.3
高效系列 High Efficiency Range													
GXL175D	Cu	4.9	1/7	RSCR	60	175	101	92	1.73	1.73	10	164	7.6
GXL200D	Cu	5.7	1/6	RSCR	60	200	116	106	1.73	1.73	10	164	7.6
超高效系列 Top Efficiency Range													
GPL175D*	Cu	4.9	1/7	CSCR	60	175	97	92	1.80	1.80	10	161	7.6

Zeta

R600a

型号 Model	电机 Motor	排气量 Displ.	电机功率 Power	电机类型 Motor Type	频率 Freq.	制冷量 Cooling Capacity	输入功率		性能系数		运行电容 Run Capacitor	高度 Height (h)	净重 Net Weight
							Input Power without RC	Input Power with RC	COP without RC	COP with RC			
		cc	hp		hz	w	w	w	w/w	w/w	µF	mm	kg
220-240V/50Hz													
中效系列 Medium Efficiency Range													
HDZ100A*	AI	5.7	1/12	RSIR/RSCR	50	98	58	54	1.70	1.80	2	165	7.5
HDZ125A*	AI	7.0	1/10	RSIR/RSCR	50	125	74	69	1.70	1.80	2	165	7.5
HDZ140A*	AI	8.0	1/9	RSIR/RSCR	50	140	81	77	1.73	1.82	2	165	7.5
高效系列 High Efficiency Range													
HXZ100A*	AI	5.7	1/14	RSCR	50	98	52	47	1.90	1.90	2	165	7.5
HXZ125A*	AI	7.0	1/11	RSCR	50	125	66	61	1.90	1.90	2	165	7.5
HXZ140A*	AI	8.0	1/10	RSCR	50	140	73	68	1.92	1.92	2	165	7.5
超高效系列 Top Efficiency Range													
HPZ100A*	AI	5.7	1/14	CSCR	50	100	51	46	1.98	1.98	2	165	7.5
HPZ125A*	AI	7.0	1/11	CSCR	50	125	63	58	1.98	1.98	2	165	7.5
HPZ140A*	AI	8.0	1/10	CSCR	50	140	71	66	1.98	1.98	2	165	7.5

注 NOTE

冷却方式	Cooling Type	蒸发温度	Evaporating temperature	-23.3°C
静态冷却	Static Cooling	冷凝温度	Condensing temperature	54.4°C
应用条件	Application	过冷温度	Subcooling temperature	32.2°C
低背压	LBP	吸气温度	Suction temperature	32.2°C
*即将发布	Release on progress	环境温度	Ambient temperature	32.2°C

测试工况

蒸发温度	Evaporating temperature	-23.3°C
冷凝温度	Condensing temperature	54.4°C
过冷温度	Subcooling temperature	32.2°C
吸气温度	Suction temperature	32.2°C
环境温度	Ambient temperature	32.2°C

TEST CONDITIONS(ASHRAE)

单位换算 CONVERSION

1 Watt = 3.41 Btu/h = 0.86 kcal/h

Variable Speed Range 变频系列

R600a

型号 Model	排气量 Displ.	电机类型 Motor Type	变频范围 Speed Range	制冷量 Cooling Capacity	输入功率 Input Power	性能系数 COP	高度 Height (h)	净重 Net Weight
220-240V/50Hz								
HKD86FSL	8.6	PPM	1400-3600	67-171	34-88	Up to 1.97	184	8.6
HKD10FSK	10.0	PPM	1400-4000	83-222	44-122	Up to 1.97	163	8.0
HKD12FSL	12.0	PPM	1400-3600	96-237	49-122	Up to 1.97	184	8.5
115V/50-60Hz								
GKD44FDK	4.4	PPM	1400-4000	63-181	35-106	Up to 1.80	163	7.8
GKD75FDK	7.5	PPM	1400-4000	100-273	52/153	Up to 1.80	184	7.8

Commercial Applications 商用产品系列

R134a

型号 Model	电机 Motor	频率 Freq.	排气量 Displ.	电机功率 Power	电机类型 Motor Type	制冷量 Cooling Capacity	输入功率 Input Power	性能系数 COP	启动电容 Start Capacitor	高度 Height (h)	净重 Net Weight
HMBP Range 中高背压系列											
220-240V/50Hz											
GL80TB	Cu	50	7.5	1/2	CSIR	740	326	2.27	50	184	10.0
GL90TB	AI	50	9.3	1/2	CSIR	860	420	2.05	50	184	10.0
GL10TB	Cu	50	9.3	1/2	CSIR	880	429	2.05	50	184	10.2
200-220V/50Hz, 220-230V/60Hz											
GL60TG	Cu	50/60	5.3	1/3	CSIR	540/640	240/262	2.25/2.44	50	174	8.8
LBP Range 低背压系列											
220-240V/50Hz											
GTM26AA	Cu/AI	50	2.6	1/12	RSIR	65	59	1.10	-	163	7.5
GTM75AA	AI	50	7.5	1/5	CSIR	200	160	1.25	50	184	9.0
GTM93AA	Cu	50	10.0	1/3	RSIR	280	207	1.35	-	184	9.5
GTM10AA	Cu	50	10.6	1/3	CSIR	300	226	1.33	50	184	10.0
GTM12AA	Cu	50	12.0	1/3	CSIR	320	241	1.33	50	184	10.0
200-220V/50Hz, 220-230V/60Hz											
GTM93AG	Cu	50/60	9.3	1/3	CSIR	248/290	216/220	1.15/1.32	50	184	9.6

注 NOTE

冷却方式	Cooling Type	蒸发温度	Evaporating temperature	-23.3°C
静态冷却	Static Cooling	冷凝温度	Condensing temperature	54.4°C
应用条件	Application	过冷温度	Subcooling temperature	32.2°C
		吸气温度	Suction temperature	32.2°C
		环境温度	Ambient temperature	32.2°C

低背压

测试工况	TEST CONDITIONS(ASHRAE)	蒸发温度	Evaporating temperature	-23.3°C
		冷凝温度	Condensing temperature	54.4°C
		过冷温度	Subcooling temperature	32.2°C
		吸气温度	Suction temperature	32.2°C
		环境温度	Ambient temperature	32.2°C

LBP

测试工况	TEST CONDITIONS(ASHRAE)	蒸发温度	Evaporating temperature	7.2°C
		冷凝温度	Condensing temperature	55°C
		液体温度	Liquid temperature	46°C
		过热温度	Superheating temperature	35°C
		吸气温度	Suction temperature	35°C
		环境温度	Ambient temperature	35°C

中高背压

测试工况	TEST CONDITIONS(ASHRAE)	蒸发温度	Evaporating temperature	7.2°C
		冷凝温度	Condensing temperature	55°C
		液体温度	Liquid temperature	46°C
		过热温度	Superheating temperature	35°C
		吸气温度	Suction temperature	35°C
		环境温度	Ambient temperature	35°C

HMBP

测试工况	TEST CONDITIONS(ASHRAE)	蒸发温度	Evaporating temperature	7.2°C
		冷凝温度	Condensing temperature	55°C
		液体温度	Liquid temperature	46°C
		过热温度	Superheating temperature	35°C
		吸气温度	Suction temperature	35°C
		环境温度	Ambient temperature	35°C

Tau

R600a

型号 Model	电机 Motor	排气量 Displ.	电机功率 Power	电机类型 Motor Type	频率 Freq.	制冷量 Cooling Capacity	输入功率		性能系数		运行电容 Run Capacitor	高度 Height (h)	净重 Net Weight
							Input Power without RC	Input Power with RC	COP without RC	COP with RC			
		cc	hp		hz	w	w	w	w/w	w/w	µF	mm	kg

220-240V/50Hz

普效系列 Standard Efficiency Range

HVM57AA	Cu/Al	5.7	1/10	RSIR	50	91	71		1.28			163	7.2
HVM67AA	Cu/Al	7.0	1/8	RSIR	50	110	88		1.25			163	7.2
HMM70AA	Al	7.0	1/8	RSIR	50	110	89		1.24			163	7.2
HVM75AA	Cu/Al	7.5	1/8	RSIR	50	125	93		1.34			163	7.4
HVM86AA	Cu/Al	8.6	1/7	RSIR	50	140	104		1.35			174	7.5
HVM86AH	Cu/Al	8.6	1/7	RSIR	50	140	99		1.42			174	8.2
HVM93AA	Cu/Al	9.3	1/7	RSIR	50	150	108		1.39			174	7.7
HVM10AA	Cu/Al	10.0	1/6	RSIR	50	160	118		1.36			174	7.8
HVM12AA	Cu/Al	12.0	1/5	RSIR	50	200	141		1.42			174	9.6
HVY57AA	Cu/Al	5.7	1/10	RSIR/RSCR	50	95	71	68	1.33	1.39	3	163	7.7
HVY75AA	Cu/Al	7.5	1/8	RSIR/RSCR	50	125	89	85	1.40	1.47	3	163	7.7
HVT86AA	Cu/Al	8.6	1/8	RSCR	50	140		92	1.52		3	174	8.8
HVT10AA	Cu/Al	10.0	1/6	RSCR	50	175		113	1.55		4	174	7.8
HTH86AA	Cu	8.6	1/7	RSCR	50	145		96	1.51		3	174	7.5
HTH10AA	Al	10.0	1/7	RSIR/RSCR	50	160	99	96	1.62	1.66	4	184	9.5
HTH12AA	Cu	12.0	1/5	RSIR/RSCR	50	200	134	126	1.49	1.59	4	184	9.4
HTH14AA	Cu/Al	14.0	1/4	RSIR/RSCR	50	235	158	149	1.49	1.58	5	184	9.3

中效系列 Medium Efficiency Range

HTT57AA	Cu/Al	5.7	1/12	RSCR	50	97		60	1.62		3	174	8.8
HTT75AA	Cu	7.5	1/9	RSCR	50	125		78	1.60		3	174	8.5
HTT86AA	Cu	8.6	1/9	RSCR	50	140		82	1.70		3	184	9.5
HTT93AA	Cu	9.3	1/8	RSCR	50	150		90	1.66		4	184	9.8
HTT10AA	Cu	10.0	1/7	RSCR	50	170		97	1.75		4	184	9.6
HTT11AA	Cu	11.0	1/7	RSCR	50	185		106	1.75		5	184	9.6
HPKD140A	Al	8.6	1/8	RSIR/RSCR	50	140	85	80	1.65	1.75	4	174	9.2
HPKD160A	Al	9.3	1/7	RSIR/RSCR	50	160	96	90	1.67	1.78	4	174	9.2
HPKD190A	Al	11.4	1/6	RSIR/RSCR	50	210	124	119	1.70	1.77	5	174	9.2

高效系列 High Efficiency Range

HKD57AA	Cu	5.7	1/12	RSCR	50	98		56	1.76		3	174	9.4
HKD75AA	Cu	7.5	1/10	RSCR	50	125		70	1.79		3	174	9.5
HKD86AA	Cu	8.6	1/9	RSCR	50	140		78	1.80		3	184	10.1
HKD93AA	Cu/Al	9.3	1/8	RSCR	50	160		86	1.87		4	184	9.5
HKD14AA	Cu	14.0	1/5	RSCR	50	240		133	1.80		6	184	10.1
HKD16AA	Cu	16.0	1/5	RSCR	50	270		150	1.80		6	184	10.3
HPKX160A	Cu	9.3	1/9	RSCR	50	160		82	1.94		3	184	10.1
HPKX190A	Cu	11.4	1/7	RSCR	50	208		107	1.95		5	184	10.1

注 NOTE

冷却方式	Cooling Type
静态冷却	Static Cooling
应用条件	Application
低背压	LBP

测试工况

蒸发温度	Evaporating temperature	-23.3°C
冷凝温度	Condensing temperature	54.4°C
过冷温度	Subcooling temperature	32.2°C
吸气温度	Suction temperature	32.2°C
环境温度	Ambient temperature	32.2°C

TEST CONDITIONS(ASHRAE)

单位换算 CONVERSION

1 Watt = 3.41 Btu/h = 0.86 kcal/h

Tau

R134a

型号 Model	电机 Motor	排气量 Displ.	电机功率 Power	电机类型 Motor Type	频率 Freq.	制冷量 Cooling Capacity	输入功率		性能系数		运行电容 Run Capacitor	高度 Height (h)	净重 Net Weight
							Input Power without RC	Input Power with RC	COP without RC	COP with RC			
		cc	hp		hz	w	w	w	w/w	w/w	µF	mm	kg

220-240V/50Hz

普效系列 Standard Efficiency Range

OF605	Cu	3.4	1/9	RSIR	50	90	76		1.18			163	7.7
OF700	Al	3.9	1/8	RSIR	50	100	88		1.13			163	7.4
OF789	Cu/Al	3.9	1/7	RSIR	50	110	96		1.14			163	7.7
OF1033A	Al	5.3	1/5	RSIR	50	140	119		1.18			174	8.6
OF1350A	Al	7.0	1/5	RSIR	50	180	150		1.20			174	9.2

中效系列 Medium Efficiency Range

GVY35AA	Cu	3.4	1/12	RSIR/RSCR	50	80	63	58	1.28	1.37	2	163	8.1
GVY40AA	Cu	4.0	1/9	RSIR/RSCR	50	109	81	76	1.35	1.43	3	174	9.0
GVY44AA	Cu/Al	4.4	1/8	RSIR/RSCR	50	130	93	87	1.40	1.50	3	174	8.9
GVY53AA	Cu	5.3	1/7	RSIR/RSCR	50	140	102	96	1.37	1.46	3	174	9.0
GVY57AA	Cu/Al	5.7	1/6	RSIR/RSCR	50	160	119	113	1.34	1.42	4	174	8.8
GVY61AA	Cu/Al	6.1	1/6	RSIR/RSCR	50	170	120	113	1.42	1.51	4	174	9.4
GVY66AA	Cu/Al	6.6	1/5	RSIR/RSCR	50	180	134	124	1.34	1.45	4	174	8.6
GVY75AA	Cu/Al	7.5	1/5	RSIR/RSCR	50	200	153	140	1.31	1.43	4	174	8.9
GTH86AA	Cu/Al	8.6	1/4	RSIR/RSCR	50	240	175	163	1.37	1.47	5	174	9.0
GTH93AA	Cu/Al	9.3	1/4	RSIR/RSCR	50	260	187	174	1.39	1.49	5	184	9.7

高效系列 High Efficiency Range

GTT66AA	Cu/Al	6.6	1/6	RSCR	50	200		125	1.60		4	184	9.5
GTT75AA	Cu	7.5	1/5	RSCR	50	210		134	1.57		4	184	10.1
GKD93AA	Cu	9.3	1/4	RSCR	50	270		163	1.66		6	184	10.4

200-220V/50Hz, 220-230V/60Hz

中效系列 Medium Efficiency Range

GVY44AG	Cu/Al	4.4	1/8	RSIR/RSCR	50	132	93	89	1.42	1.49	3	174	9.3
					60	162	111	105	1.46	1.55			
GVY53AG	Cu	5.3	1/7	RSIR/RSCR	50	138	99	93	1.39	1.48	3	174	9.4
					60	160	115	110	1.39	1.46			
GVY57AG	Cu/Al	5.7	1/6	RSIR/RSCR	50	154	118	111	1.31	1.39	4	174	10.1
					60	179	131	125	1.37	1.43			
GVY75AG	Cu/Al	7.5	1/5	RSIR/RSCR	50	201	147	139	1.37	1.45	5	184	10.1
					60	232	167	157	1.39	1.48			

注 NOTE

冷却方式	Cooling Type
静态冷却	Static Cooling
应用条件	Application
低背压	LBP

测试工况

蒸发温度	Evaporating temperature	-23.3°C
冷凝温度	Condensing temperature	54.4°C
过冷温度	Subcooling temperature	32.2°C
吸气温度	Suction temperature	32.2°C
环境温度	Ambient temperature	32.2°C

TEST CONDITIONS(ASHRAE)

单位换算 CONVERSION

1 Watt = 3.41 Btu/h = 0.86 kcal/h

Tau- North American range

北美系列

R134a

型号 Model	电机 Motor	排气量 Displ.	电机功率 Power	电机类型 Motor Type	制冷量 Cooling Capacity	输入功率		性能系数		运行电容 Run Capacitor	高度 Height (h)	净重 Net Weight
						Input Power without RC	Input Power with RC	COP without RC	COP with RC			
		cc	hp		w	w	w	w/w	w/w	µF	mm	kg
115V/60Hz												
普效系列 Standard Efficiency Range												
OF612D	Cu/Al	2.6	1/10	RSIR	74	69		1.07			163	7.5
OF789D	Cu/Al	3.5	1/8	RSIR	108	94		1.15			163	7.2
OF789D-1	Cu/Al	4.0	1/6	RSIR	130	115		1.13			163	7.2
GVY26AD	Cu	2.6	1/12	RSIR/RSCR	70	57	56	1.23	1.26	6	163	8.0
GVY40AD	Cu/Al	4.0	1/7	RSIR/RSCR	122	95	56	1.29	1.36	8	174	8.4
GVY44AD	Cu/Al	4.0	1/7	RSIR/RSCR	144	109	90	1.32	1.40	10	174	8.3
GVY53AD	Cu	5.3	1/6	RSIR/RSCR	166	122	103	1.36	1.42	10	174	9.3
GVY57AD	Cu	5.7	1/5	RSIR/RSCR	192	136	117	1.41	1.52	10	184	10.1
GTM93AD	Cu	9.3	1/3	RSIR	290	220	126	1.32			184	9.5
中效系列 Medium Efficiency Range												
GVT26AD	Al	2.6	1/12	RSCR	75		57		1.31	10	174	7.8
GVT40AD	Cu/Al	4.0	1/8	RSCR	133		92		1.45	10	174	8.8
GVT44AD	Cu/Al	4.4	1/7	RSCR	152		103		1.48	10	174	8.6
GVT53AD	Cu	5.3	1/6	RSCR	174		115		1.51	10	174	9.2
GTH53AD	Al	5.3	1/6	RSIR/RSCR	177	121	114	1.46	1.55	10	184	10.1
GVT57AD	Cu	5.7	1/6	RSCR	188		124		1.52	10	184	
GVT66AD	Cu	6.6	1/5	RSCR	217		145		1.50	10	184	9.9
高效系列 High Efficiency Range												
GTT44AD	Cu	4.4	1/7	RSCR	157		103		1.52	10	174	9.5
GTT57AD	Cu	5.7	1/6	RSCR	194		123		1.58	10	184	10.0
GTT75AD	Cu	7.5	1/4	RSCR	251		162		1.55	10	184	10.0
超高效系列 Top Efficiency Range												
GKD44AD	Cu	4.0	1/8	RSCR	145		85		1.70	10	174	9.6
GKD53AD	Cu	5.3	1/7	RSCR	180		103		1.74	10	184	10.1
GKD57AD	Cu	5.7	1/6	RSCR	200		114		1.75	10	184	10.0
GKD75AD	Cu	7.5	1/5	RSCR	257		148		1.74	10	184	10.4

注 NOTE

冷却方式	Cooling Type
静态冷却	Static Cooling
应用条件	Application
低背压	LBP

测试工况

蒸发温度	Evaporating temperature	-23.3°C
冷凝温度	Condensing temperature	54.4°C
过冷温度	Subcooling temperature	32.2°C
吸气温度	Suction temperature	32.2°C
环境温度	Ambient temperature	32.2°C

TEST CONDITIONS(ASHRAE)

单位换算 CONVERSION

1 Watt = 3.41 Btu/h = 0.86 kcal/h

Tau- Japan range

日本系列

R600a

型号 Model	电机 Motor	排气量 Displ.	电机功率 Power	电机类型 Motor Type	频率 Freq.	制冷量 Cooling Capacity	输入功率		性能系数		运行电容 Run Capacitor	高度 Height (h)	净重 Net Weight
							Input Power without RC	Input Power with RC	COP without RC	COP with RC			
		cc	hp		hz	w	w	w	w/w	w/w	µF	mm	kg
100V/50-60Hz													
普效系列 Standard Efficiency Range													
HVM35AJ	Cu/Al	3.4	1/16	RSIR	50	52	43		1.21			163	7.5
			1/15		60	67	49		1.37			163	7.5
HVM61AJ	Cu/Al	6.1	1/9	RSIR	50	101	81		1.25			163	7.9
			1/8		60	126	86		1.46			163	7.9
HVM66AJ	Cu/Al	6.6	1/8	RSIR	50	113	90		1.25			163	7.8
			1/7		60	139	96		1.45			163	7.8
中效系列 Medium Efficiency Range													
HTH61AJ	Cu	6.1	1/10	RSIR/RSCR	50	103	72	69	1.43	1.50	8	174	9.0
			1/9		60	125	83	80	1.50	1.56	8	174	9.0
HTH66AJ	Cu	6.6	1/9	RSIR/RSCR	50	115	78	75	1.47	1.53	8	174	9.1
			1/8		60	139	91	89	1.52	1.56	8	174	9.1
HTH75AJ	Cu/Al	7.5	1/8	RSIR/RSCR	50	126	92	88	1.37	1.43	8	174	8.8
			1/7		60	150	105	99	1.43	1.51	8	174	8.8
HTH86AJ	Cu	8.6	1/7	RSIR/RSCR	50	145	97	93	1.50	1.56	8	174	9.0
			1/7		60	162	109	105	1.48	1.55	8	174	9.0
HTH11AJ	Cu	11.0	1/6	RSIR/RSCR	50	182	121	115	1.50	1.58	8	174	9.3
			1/6		60	200	129	125	1.55	1.60	8	174	9.3
高效系列 High Efficiency Range													
HTT61AJ	Cu	6.1	1/12	RSCR	50	105		63		1.68	10	174	9.6
			1/10		60	125		74		1.70	10	174	9.6
HTT75AJ	Cu	7.5	1/9	RSCR	50	131		81		1.61	8	174	9.0
			1/8		60	155		94		1.65	8	174	9.0
HTT10AJ	Cu	10.0	1/8	RSCR	50	173		98		1.77	10	184	10.3
			1/7		60	195		110		1.78	10	184	10.3
100V/50-60Hz													
中效系列 Medium Efficiency Range													
GVY26AJ	Cu	2.6	1/13	RSIR/RSCR	50	64	55	52	1.16	1.23	6	163	8.0
			1/12		60	75	60	58	1.24	1.30	6	163	8.0
GVY40AJ	Cu	4.0	1/8	RSIR/RSCR	50	105	88	84	1.19	1.25	8	174	9.3
			1/7		60	122	101	96	1.21	1.27	8	174	9.3
GVY44AJ	Cu	4.4	1/7	RSIR/RSCR	50	122	95	91	1.29	1.34	10	174	9.3
			1/7		60	142	109	105	1.30	1.35	10	174	9.3
GVY53AJ	Cu	5.3	1/7	RSIR/RSCR	50	146	100	94	1.46	1.55	10	174	9.3
			1/6		60	173	119	110	1.45	1.57	10	174	9.3
GVY57AJ	Cu	5.7	1/6	RSIR/RSCR	50	157	117	111	1.34	1.42	10	184	9.8
			1/6		60	184	130	124	1.42	1.48	10	184	9.8

R134a

注 NOTE

冷却方式	Cooling Type
静态冷却	Static Cooling
应用条件	Application
低背压	LBP

测试工况

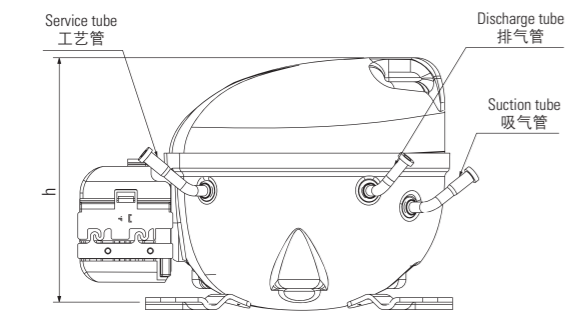
蒸发温度	Evaporating temperature	-23.3°C
冷凝温度	Condensing temperature	54.4°C
过冷温度	Subcooling temperature	32.2°C
吸气温度	Suction temperature	32.2°C
环境温度	Ambient temperature	32.2°C

TEST CONDITIONS(ASHRAE)

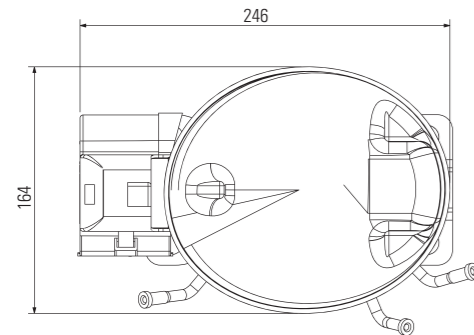
单位换算 CONVERSION

1 Watt = 3.41 Btu/h = 0.86 kcal/h

Outline drawings 外形尺寸



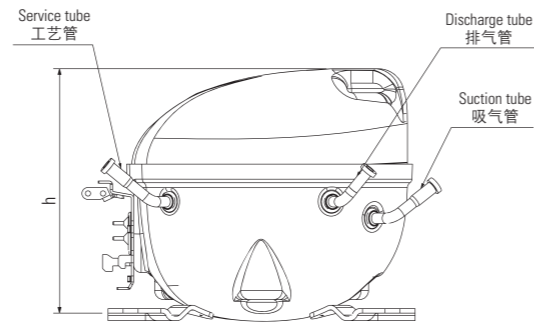
主视图
缩放: 1:2



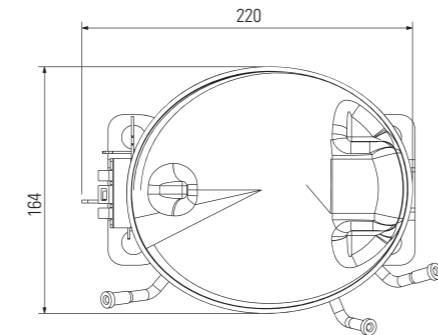
俯视图
缩放: 1:2

H*Z
Standard Version
通用款

ZETA

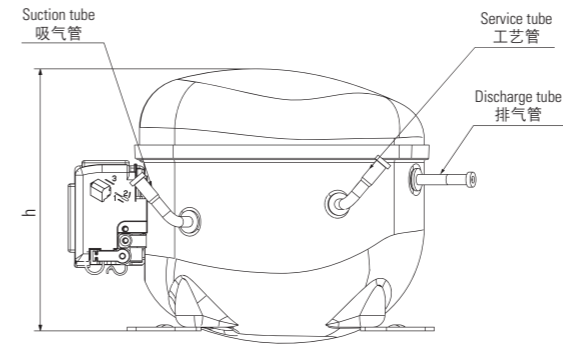


主视图
缩放: 1:2

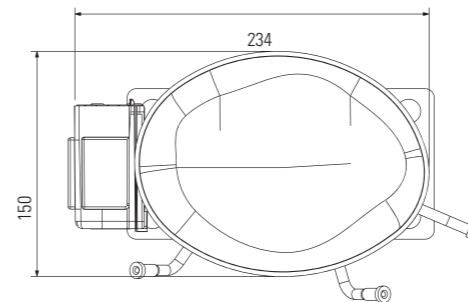


俯视图
缩放: 1:2

H*Z
For USA and Japan
北美/日本款



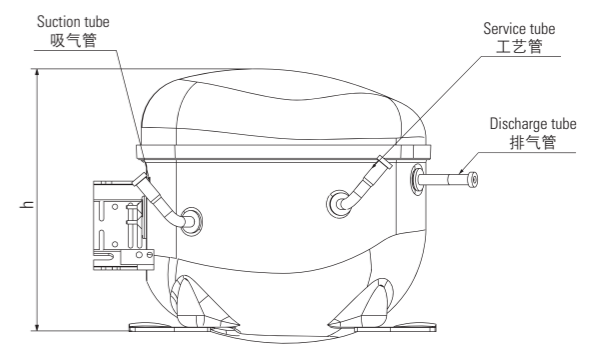
主视图
缩放: 1:2



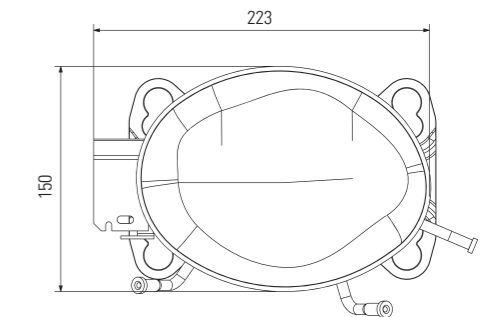
俯视图
缩放: 1:2

OF-GV-GT-GK-HV-HT-HPK
Standard Version
通用款

TAU

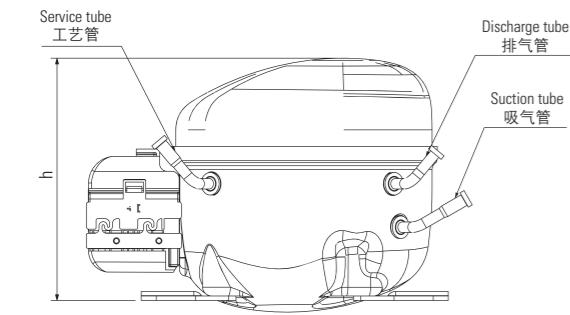


主视图
缩放: 1:2

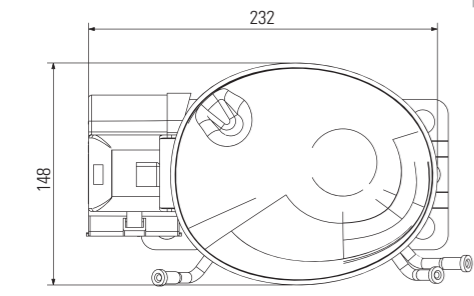


俯视图
缩放: 1:2

OF-GV-GT-GK-HT
For USA and Japan
北美/日本款



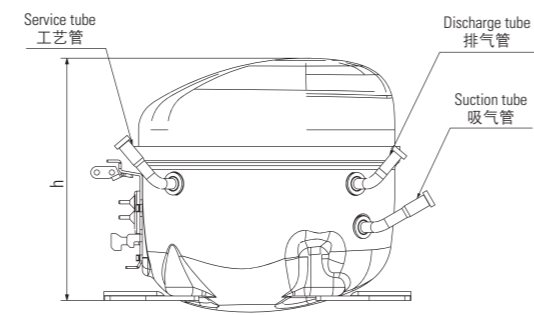
主视图
缩放: 1:2



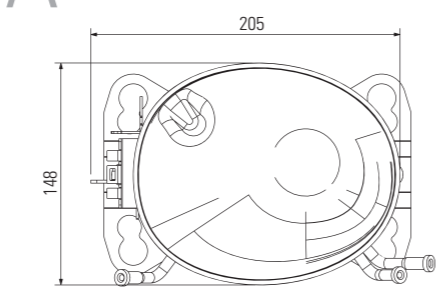
俯视图
缩放: 1:2

H*L-G*L
Standard Version
通用款

LAMBDA



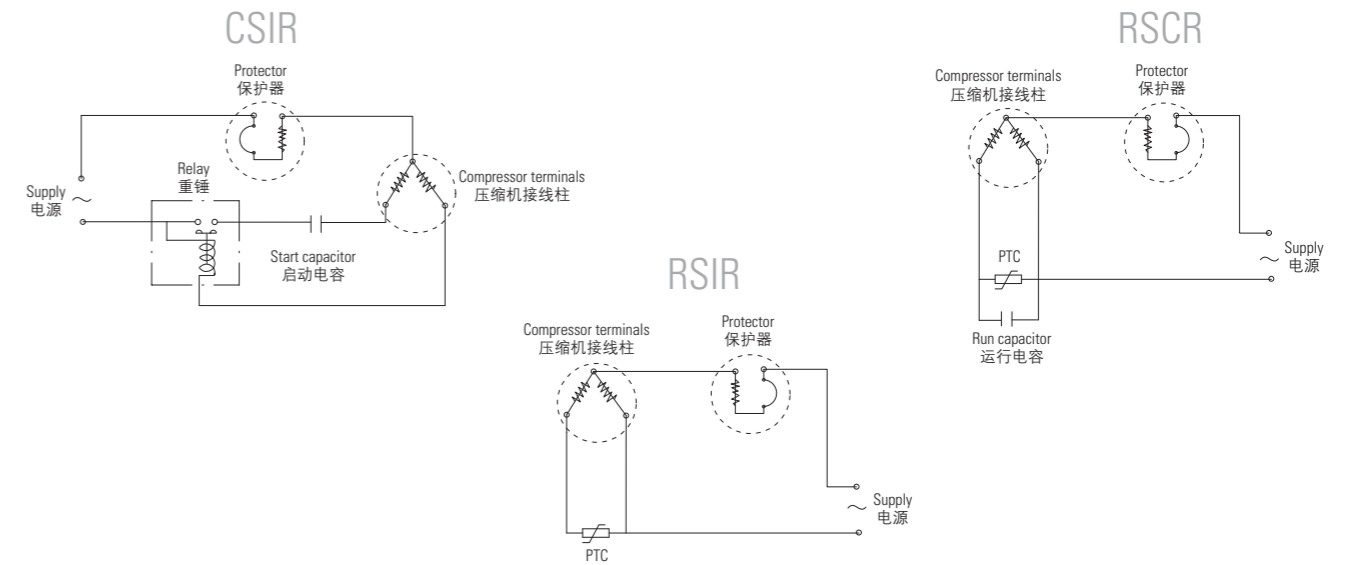
主视图
缩放: 1:2



俯视图
缩放: 1:2

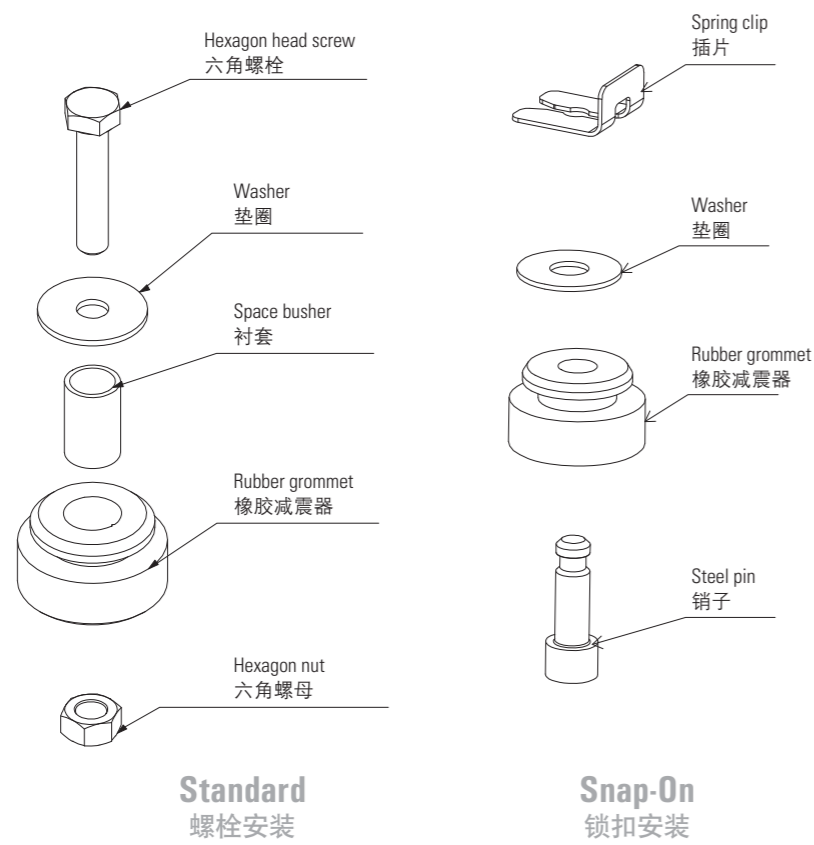
H*L-G*L
For USA and Japan
北美/日本款

Electric wiring diagram 电气接线图



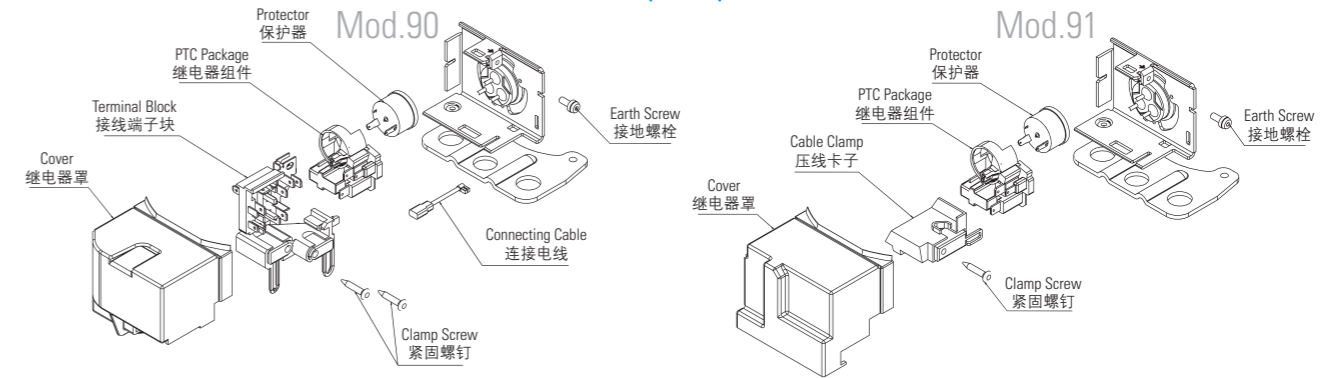
Mounting accessories

底脚附件连接示意图



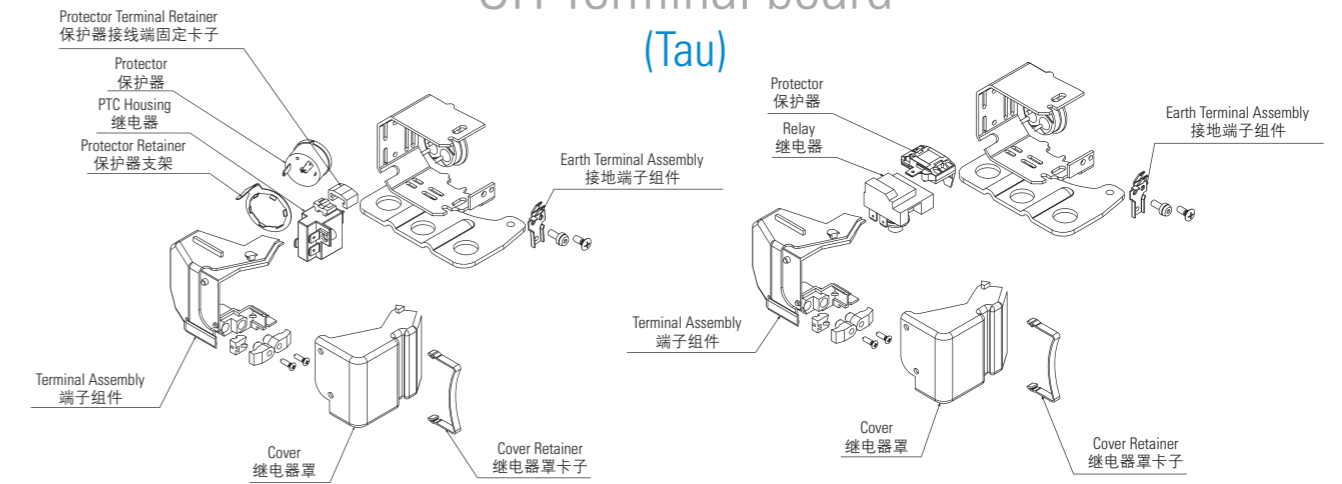
ZEM Terminal board

(Tau)



UH Terminal board

(Tau)

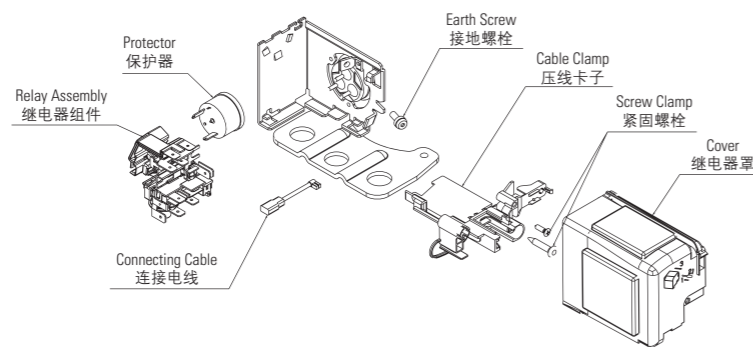


Technical Drawings

电气附件连接示意图

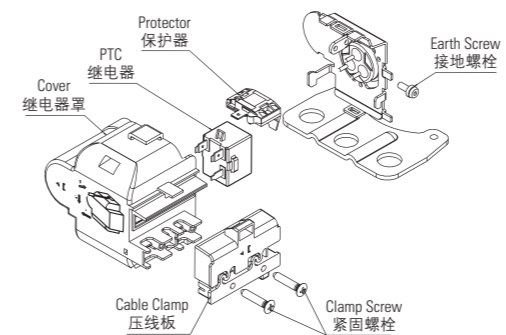
ECC Terminal board

(Tau)



GD Terminal board

(Lambda/Zeta)



GDI Terminal board

(Lambda/Zeta)

