



## PERFORMANCE FOR COMPRESSOR

MODEL: ADW91

1PH, 50Hz, 220-240V

### 1、 APPLICATION

EVAPORATING TEMP RANGE	-35—-15℃
COOLING TYPE	FAN
REFRIGERATION CONTROL	CAPILLARY
APPROVAL	CCC、CE、CB
VOLTAGE RANGE	220~240V
REFRIGERANT	R134a

### 2、 RATED PERFORMANCE AND TEST CONDITIONS

COOLING CAPACITY	220.0(W)
INPUT POWER	162.0 (W)
RATED CURRENT	1.2(A)
EFFICIENCY COP	1.35(W/W)
ASHRAE TEST CONDITION	LBP
TEST POWER SOURCE	220—240V~ 50Hz 1PH
EVAPORATING TEMP	-23.3℃
CONDENSING TEMP	54.4℃
SUNCTION TEMP	32.2℃
SUBCOOLING TEMP	32.2℃
AMBIENT TEMP	32.2℃

## PERFORMANCE FOR COMPRESSOR

MODEL: ADW91

1PH, 50/60Hz, 220-240V

### 3、 MAIN STRUCTURE

COMPRESSOR TYPE	HERMTIC MOTOR-COMPRESSOR
PUMP TYPE	RECIPROCATING TYPE
DISPLACEMENT	9.1cm <sup>3</sup>
OIL TYPE	RL32H
OIL CHARGE	200ml
PAINTING	BLACK PAINT,BAKED
NET WEIGHT	9.1Kg
ID OF SUCTION TUBE	Ø6.2±0.1
ID OF DISCHARGE TUBE	Ø6.2±0.1
ID OF PROCESS TUBE	Ø6.2±0.1
RESIDUAL IMPURITIES	80mg MAX
RESIDUAL MOISTURE	130mg MAX

### 4、 MOTOR

STARTING TYPE	RSIR(PTC)
VOLTAGE RANGE	187—242V~
INSULATION GRADE	B GRADE
LOCKED ROTOR	9.0A

# PERFORMANCE FOR COMPRESSOR

MODEL: ADW91

1PH, 50Hz, 220-240V

## 5、 ELECTRICAL COMPONENTS

THERMAL PROTECTOR	
TYPE	ADW91 DRB28N61A
TRIP TEMP	125±5℃
RESET TEMP	61±9℃
(U.T.C) 90℃	1.45A
(TRIP CURRENT) 25℃	9.0A
TRIP TIME	7—14sec
STARTING RELAY	
TYPE	QP2-15
RESISTANCE	15±5%Ω
RESET TIME	80sec MAX
RUNNING CAPACITOR	
TYPE	/
(CAPACITY VALUE)25℃	/
STARTING CAPACITOR	
TYPE	/
(CAPACITY VALUE)25℃	/

## LIST OF COMPRESSOR & ACCESSORIES

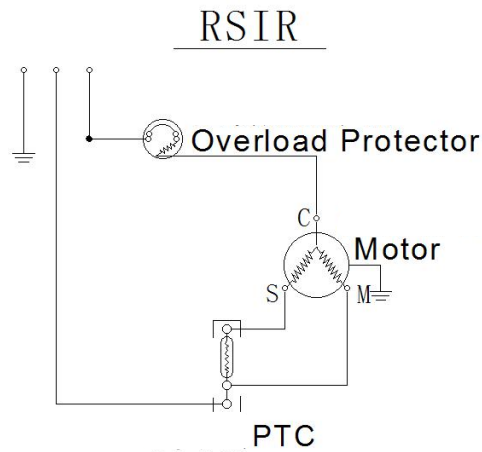
MODEL: ADW91

1PH, 50Hz, 220-240V

### 6、 ACCESSORIES LIST

NAME	DTSCRIPTION	QTY
THERMAL PROTECTOR	ADW91 DRB28N61A	1
STARTING RELAY	QP2-15	1
RUNNING CAPACITOR	/	/
STARTING CAPACITOR	/	/
ELECTRICAL COVER		1
COVER CLAMP	/	/
RUBBER GROMMET		4
BUSHING		4

### 7、 ELECTRICAL WIRING DIAGRAM



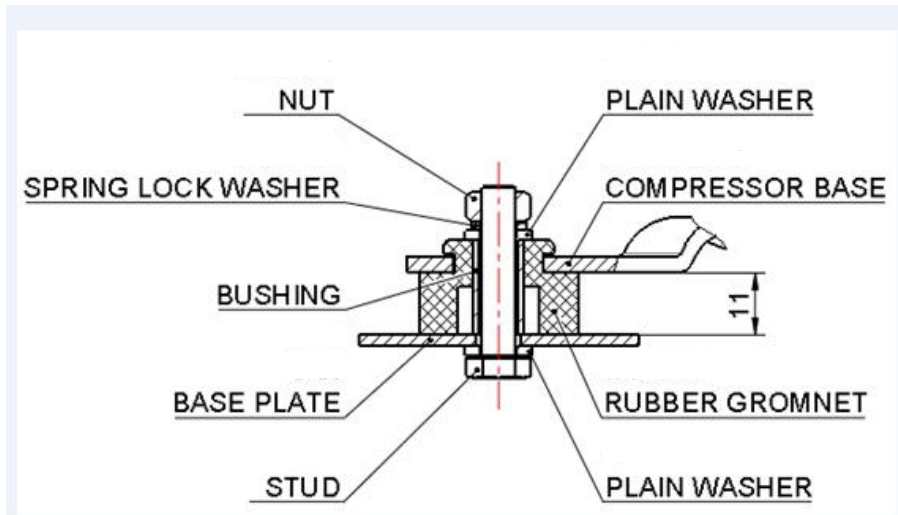


# MOUNTING DIAGRAM FOR COMPRESSOR

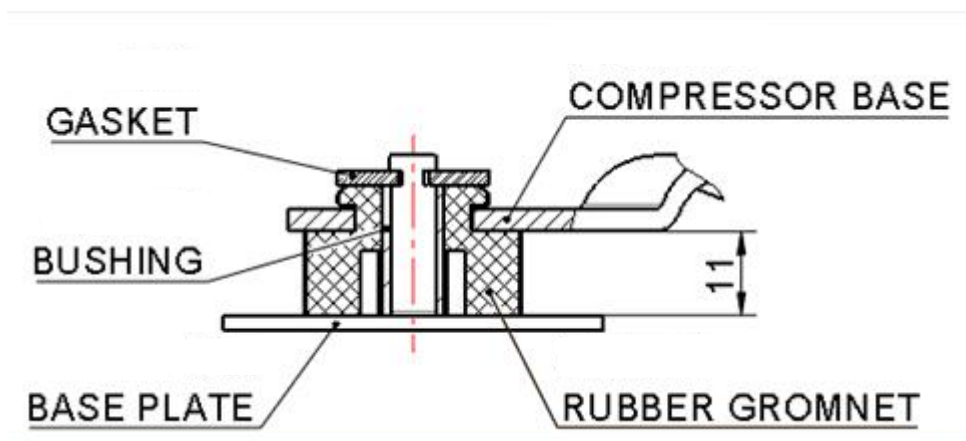
MODEL: ADW91

1PH, 50Hz, 220-240V

## 9、 MOUNTING DIAGRAM FOR COMPRESSOR



MOUNTING TYPE:(1)



MOUNTING TYPE:(2)

TRANSPORTATION FOR COMPRESSOR

MODEL: ADW91

1PH, 50Hz, 220-240V

10、 TRANSPORTATION FOR COMPRESSOR

Packing type	Disposable
Transport	Train, bus, vessel
Stacking layers	not more than two layers
Model	ADW91
Moving	Keep the compressor normal and vertical status