

HXK95AA KAPPA LBP Compressor Superior Efficiency R600a 220-240V 50Hz

General

| | |
|-----------------------|---------------------------|
| Code number | CDO00085 |
| Approvals | EN 60335-2-34 w. Annex AA |
| Compressors on pallet | 100 |

Application

| Application | LBP | | |
|--|-----|------------|----|
| Frequency | Hz | 50 | 60 |
| Evaporating temperature | °C | -35 to -5 | - |
| Voltage range | V | 187 to 264 | - |
| Max. condensing temperature continuous (short) | °C | 60 (70) | - |
| Max. winding temperature continuous (short) | °C | 130 (130) | - |

Cooling requirements

| Frequency | Hz | 50 | | | 60 | | |
|-------------------------|----|-----|-----|-----|-----|-----|-----|
| Application | | LBP | MBP | HBP | LBP | MBP | HBP |
| 32°C | | S | - | - | - | - | - |
| 38°C | | S | - | - | - | - | - |
| 43°C | | S | - | - | - | - | - |
| Remarks on application: | | | | | | | |

Motor

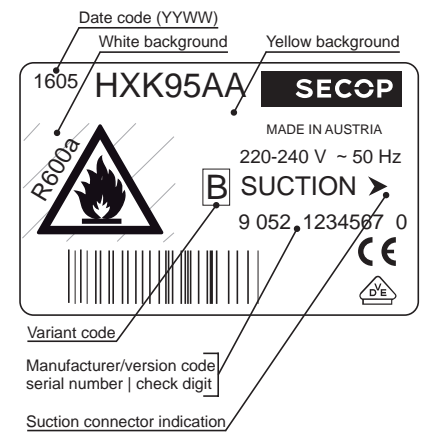
| Motor type | RSCR | | |
|---|------|------|------|
| LRA (rated after 4 sec. UL984), HST LST | A | - | 3.8 |
| Cut in Current, HST LST | A | - | 11.6 |
| Resistance, main start winding (25°C) | Ω | 22,4 | 15,3 |

Design

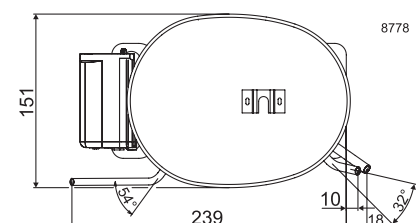
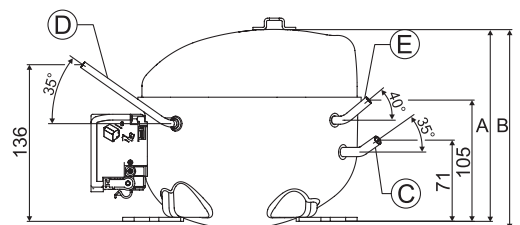
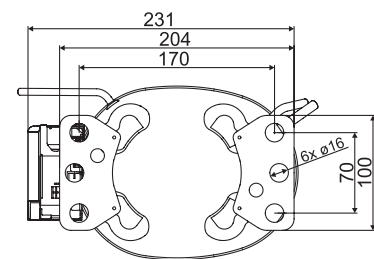
| | | |
|-------------------------------------|-----------------|---------------|
| Displacement | cm ³ | 9.6 |
| Oil quantity (type) | cm ³ | 165 (mineral) |
| Maximum refrigerant charge | g | 150 |
| Free gas volume in compressor | cm ³ | 1560 |
| Weight without electrical equipment | kg | 8.60 |

Dimensions

| | | | |
|----------------------|--------------------------|---|----------------------|
| Height | mm | A | 167.0 |
| | | B | 173.5 |
| Suction connector | location/I.D. mm angle | C | 6.15 35° |
| | material comment | | Copper Rubber plug |
| Process connector | location/O.D. mm angle | D | 6.00 35° |
| | material comment | | Copper Rubber plug |
| Discharge connector | location/I.D. mm angle | E | 5.15 40° |
| | material comment | | Copper Rubber plug |
| Oil cooler connector | location/I.D. mm angle | F | - |
| | material comment | | - |
| Connector tolerance | I.D. mm | | ±0.05 |
| Remarks: | | | |



- S = Static cooling normally sufficient
- O = Oil cooling
- F₁ = Fan cooling 1.5 m/s
(compressor compartment temperature equal to ambient temperature)
- F₂ = Fan cooling 3.0 m/s necessary
- SG = Suction gas cooling normally sufficient
- = not applicable in this area



EN 12900 Household

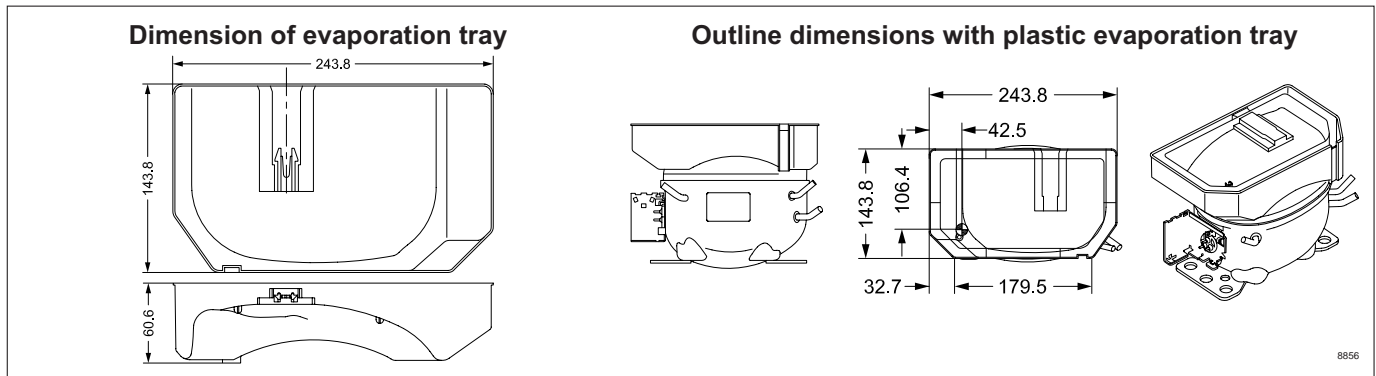
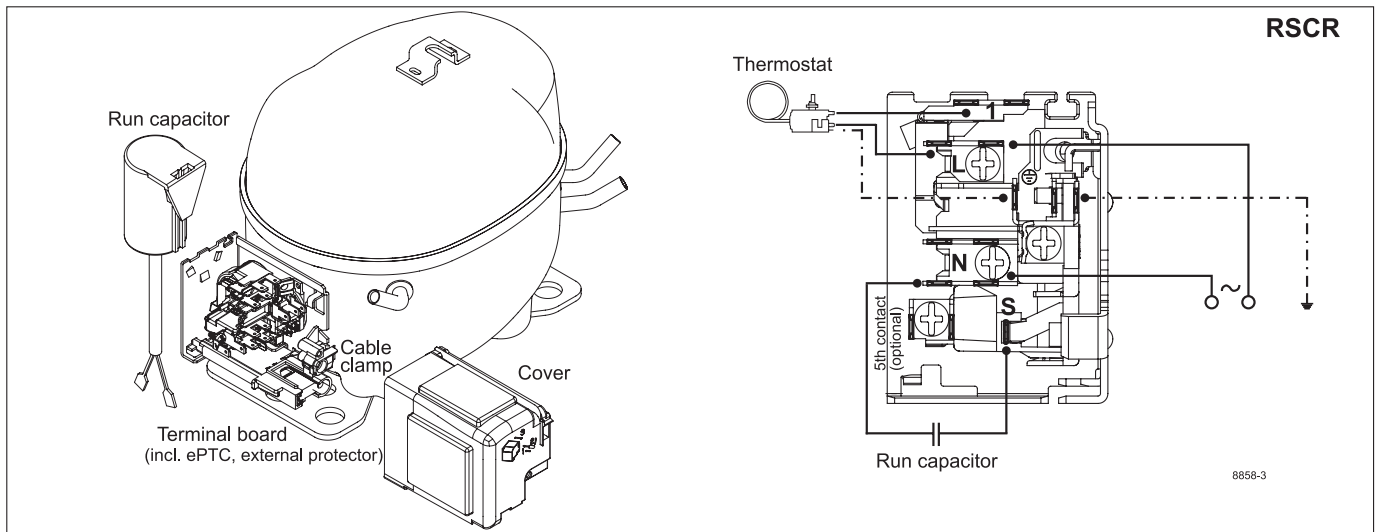
220V, 50Hz, RC 4µF, ePTC consumption incl., static cooling (alternative use of PTC +2W)

| | | | | | | | | | | | | | | | | | |
|--------------------|-----|-----|------|------|------|-------|------|------|------|------|------|---|---|-----|----|----|----|
| Evap. temp. in °C | -45 | -40 | -35 | -30 | -25 | -23.3 | -20 | -15 | -10 | -6.7 | -5 | 0 | 5 | 7.2 | 10 | 15 | 20 |
| Capacity in W | | | 72.9 | 97.7 | 129 | 140 | 166 | 208 | 257 | 292 | 312 | | | | | | |
| Power cons. in W | | | 64.0 | 74.1 | 85.6 | 89.8 | 98.3 | 112 | 126 | 135 | 140 | | | | | | |
| Current cons. in A | | | 0.32 | 0.35 | 0.39 | 0.40 | 0.43 | 0.47 | 0.52 | 0.57 | 0.59 | | | | | | |
| COP in W/W | | | 1.14 | 1.32 | 1.50 | 1.56 | 1.68 | 1.87 | 2.04 | 2.16 | 2.22 | | | | | | |

ASHRAE LBP

220V, 50Hz, RC 4µF, ePTC consumption incl., static cooling (alternative use of PTC +2W)

| | | | | | | | | | | | | | | | | | |
|--------------------|-----|-----|------|------|------|-------|------|------|------|------|------|---|---|-----|----|----|----|
| Evap. temp. in °C | -45 | -40 | -35 | -30 | -25 | -23.3 | -20 | -15 | -10 | -6.7 | -5 | 0 | 5 | 7.2 | 10 | 15 | 20 |
| Capacity in W | | | 88.8 | 119 | 157 | 171 | 202 | 254 | 313 | 356 | 380 | | | | | | |
| Power cons. in W | | | 63.9 | 73.9 | 85.4 | 89.5 | 97.9 | 111 | 125 | 134 | 139 | | | | | | |
| Current cons. in A | | | 0.32 | 0.35 | 0.39 | 0.40 | 0.43 | 0.47 | 0.52 | 0.56 | 0.59 | | | | | | |
| COP in W/W | | | 1.39 | 1.61 | 1.84 | 1.91 | 2.06 | 2.28 | 2.50 | 2.65 | 2.72 | | | | | | |



| Accessories for | HXK95AA | Code number |
|--|-----------------------------------|--------------------|
| Run capacitor (compulsory) | 4.8 mm or 6.3 mm spade connectors | 4 µF |
| Terminal board (incl. ePTC and external protector) | 4.8 mm spade connectors | ZX F5 |
| Terminal board (incl. PTC and external protector) | 6.3 mm spade connectors | DA F5 |
| | 4.8 mm spade connectors | ZA F5 |
| Motor Protector | AE18 FU x | F5 |
| Cable clamp (screws not included) | | 113410_ |
| Cover | | 157595_ |
| Evaporation tray (optional) | | 113188_ |
| All-in-one equipment, e.g. 4ZN | | Code number |
| Cover / cable clamp + screws / earthing screw | | 16168000 |

| Test conditions | EN 12900 Household | ASHRAE LBP |
|-------------------------|--------------------|------------|
| Condensing temperature | 55°C | 54.4°C |
| Ambient temperature | 32°C | 32.2°C |
| Suction gas temperature | 32°C | 32.2°C |
| Liquid temperature | no subcooling | 32.2°C |

| Mounting accessories | Code number |
|---------------------------------------|-------------|
| on request, various options available | |

Secop accepts no responsibility for possible errors in catalogs, brochures, and other printed material. Secop reserves the right to alter its products without notice. This also applies to products already on order provided that such alterations can be made without subsequential changes being necessary to specifications already agreed. All trademarks in this material are the property of the respective companies. Secop and the Secop logotype are trademarks of Secop GmbH. All rights reserved. www.secop.com