



Compressor
Voltage Code : FZ

AJ5515E-FZ

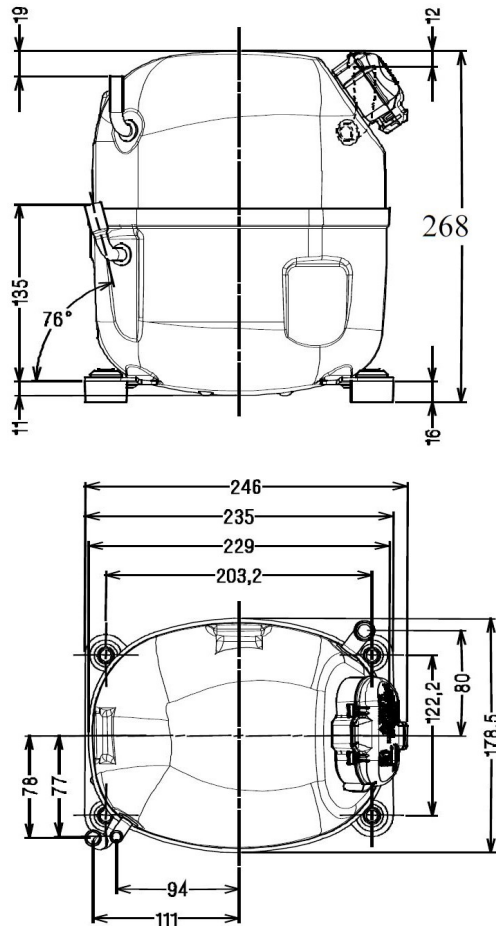
Air Conditioning & Heating (CA)

220 - 240V 1~ 50 Hz

R22

AJ5515E-FZ3C

Conditions	Frequency	Nominal Cooling Capacity		Sound Power ISO3745 / ISO 3743-1
		Watts	BTU/h	
EN12900 / R22	50 Hz	3365	11476	



Displacement (cc)	25,95
Net Weight (Kg)	20.3
Oil Quantity (cc)	475.0
Oil Type	Mineral
Expansion Device	Capillary_Tube
Cooling	Fan
Main Winding (Ohm)	1.7
Start Winding (Ohm)	8.1
Current	
RLA (A)	7.2
MCC (A)	12
LRA (A)	36
Electrical Equipment	PTCSCR,CSR,PSC
Overload	T0657
Time Check	2.8s - 5.2s / 33 A
Open Temp	135° C
Close Temp	61° C
Optional	MST16AHW
Start Capacitor	21 µF / 330 V
Run Capacitor	20 µF / 400 V
Potential Relay	RVA4G**
Pick Up	180/195V
Drop Out	40/105V
Optional	3ARR3*6AS*
PTC	CTP305C2
Resistance	50 Ohms
Refrigerating connection for OD	
Suction Tube	12.7 (1/2")
Discharge Tube	7.9 (5/16")
Process Tube	6.35 (1/4")

* EN12900 : T°Cond. 50.0°C / T°Evap. 5.0°C / T°Superheat. 10.0°C
T°Subcooling. 0.0K

Certificates :



Note : Tecumseh reserves the right to change information contained in this document without notification.



Tecumseh

AJ5515E-FZ	Tension FZ : 220 - 240V 1~ 50 Hz
-------------------	---

Les performances sont données dans les conditions EN12900 :	Surchauffe :	10.0 K
Condition Dew	Sous refroidissement :	0.0 K
The performance data are in EN12900 conditions :	Superheat :	10.0 K
Dew Condition	Subcooling :	0.0 K

50 Hz R22

N°331JG-FZ

4 T condensation	5 T évaporation	(°C)	-25	-20	-15	-10	-5	0	5	10	15
40	1 P frigorifique	(Watt)				2140	2687	3308	4002	4771	5614
	2 P absorbée	(W)				1083	1141	1198	1252	1305	1356
	3 I absorbée	(A)				5.91	6.08	6.25	6.41	6.56	6.71
50	1 P frigorifique	(Watt)					2210	2755	3365	4041	4781
	2 P absorbée	(W)					1204	1293	1377	1455	1529
	3 I absorbée	(A)					6.29	6.62	6.92	7.21	7.48
60	1 P frigorifique	(Watt)						2221	2751	3338	3981
	2 P absorbée	(W)						1390	1502	1606	1701
	3 I absorbée	(A)						6.98	7.43	7.85	8.23

© 2021 Tecumseh Products Company
All rights reserved

1 = cooling capacity 2 = power input 3 = current 4 = condensing temperature 5 = evaporating temperature

Nota : Tecumseh se réserve le droit de modifier les informations contenues dans ce document sans préavis.

Note : Tecumseh reserves the right to change information contained in this document without notification.