

RECIPROCATING COMPRESSOR

COMPRESSOR TECHNOLOGY
FOR REFRIGERATION



GLOBAL NETWORK

Taizhou, China

· Address Taizhou LG Electronics Refrigeration Co.,LTD. 2,
Xianglin Road, Hailing Zone Taizhou, Jiangsu, P.R.C. China
· Phone +86-523-8018-9484

Noida, India

· Address LG Electronics India P Ltd, Compressor-Plot No 51, Udyog Vihar,
Surajpur-Kasna Road, Greater Noida, Uttar Pradesh, India
· Phone +91-120-256-0900

Website <https://www.lg.com/global/business/compressor-motor>

For continual product development, LG reserves the right to change specifications without notice.
© LG Electronics Inc. Printed in Korea. Feb, 2022



Revolutionary energy technologies of the future

LG COMPONENT SOLUTIONS

LG
COMPONENT
SOLUTIONS

MOTOR

COMPRESSOR

Innovation originates out of sight, in small moments. Beginning with fan motors in 1962, LG Compressor & Motor has been improving our lives for over 60 years with innovative products, such as linear compressors, DD motors, scroll compressors, and R1 compressors.

LG Compressor & Motor is a business division under LG Electronics. Offering excellent performance and energy efficiency for appliances in refrigeration, air conditioning, and mobility, we provide sustainable component solutions that meet the latest regulations and standards.

Moreover, we do not only develop new technologies. We manufacture products built on these technologies and introduce them into our customers' lives, thus bringing positive changes to manufacturers, product installers, and users.

By transitioning to eco-friendly refrigerants and launching high-efficiency products for our component solutions based on LG Compressor & Motor, we will satisfy more diverse customer needs and pave the way towards an energy future where our customers can grow sustainably.

Sales office / Production Site

Tailored Solutions Based on a Global Network

With headquarters in Korea, LG Component Solutions operate production facilities and sales offices in 10 cities and 5 countries, fully supporting our customers over 50 countries.

LG Component Solutions aims to grow side-by-side with our customers' businesses through technical consulting for product development, performance and quality optimized for real-world conditions, and a flexible supply chain that enables timely supply.



PRODUCTION SITE

Korea	Changwon
China	Taizhou
	Tianjin
	Nanjing
	Qinhuangdao
India	Noida
Thailand	Rayong

SALES OFFICE SITE

USA	Atlanta, Dallas
India	Delhi
Thailand	Rayong
China	Qinhuangdao, Tianjin, Taizhou, Shunde
Korea	Seoul, Changwon



Technical
Support



Real-world
Quality



Flexible
Supply Chain



Long-term
Partnership

Contents

LG Component Solutions	02
Sales office / Production Site	04



LG Reciprocating Compressor

Why LG Reciprocating Compressor	08
Product Platform	09
Product Range	10
Nomenclature	11
Specification	
- Variable Speed R600A	12
- Variable Speed R134A	18
- Variable Speed BCA	20
- Fixed Speed R600A	22
- Fixed Speed R134A	26
- Fixed Speed R290	34
- Drive	36



Why Reciprocating Compressor?

LG provides a wide range of variable speed and fixed speed reciprocating compressors, Suitable for various types of refrigeration applications.

High Efficiency

Design each element of the product to achieve higher performance than a conventional model.

Low Noise Level

LG Variable speed Compressor minimizes noise, by reducing operation ratio.


Reliability

The Reciprocating Compressor enhanced product durability is based on LG's technologies and know how that has been developed and produced refrigerator compressors for over the past 50 years.



Product Platform

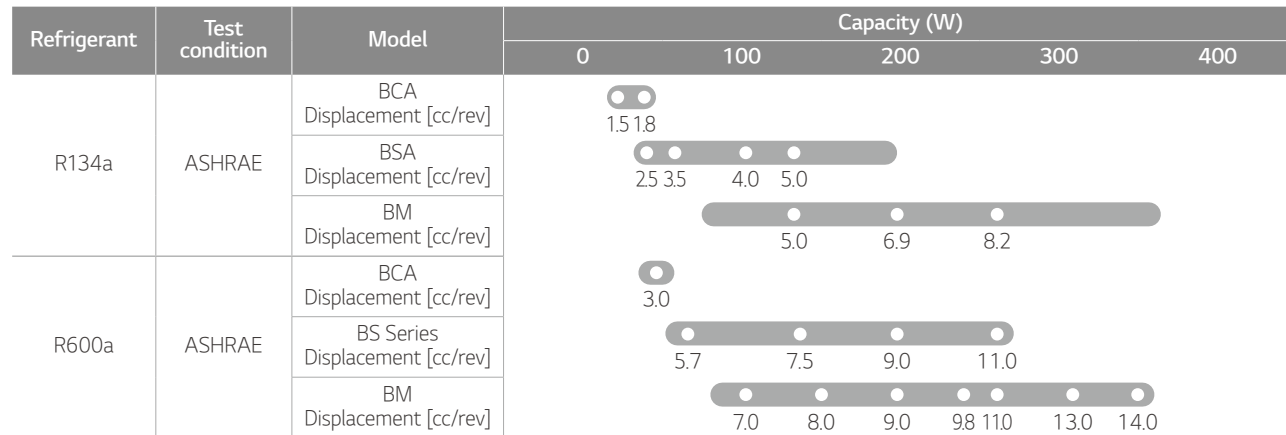
Variable Speed			
Series			
	BM Series	BS Series	BC Series
Cooling Capacity (W)	36-348	35-225	25-63
Features	Highest Efficiency Design for high-end market needs	Downsized design Stable performance	AC / DC available Ultra-compact size
Applications	Household & Commercial Refrigerator	Household Refrigerator, Mobile Refrigerator	Portable & Transportation Refrigerator, Water purifier

Fixed Speed			
Series			
	LX Series	CMA Series	CSB Series
Cooling Capacity (W)	245-367	107-224	43-147
Type	LBP / HBP	LBP	LBP
Applications	Commercial Refrigerator, Showcase, Other Applications	Household Refrigerator, Commercial Applications	Water Purifier Commercial Refrigeration



Product Range

Variable Speed (Inverter)

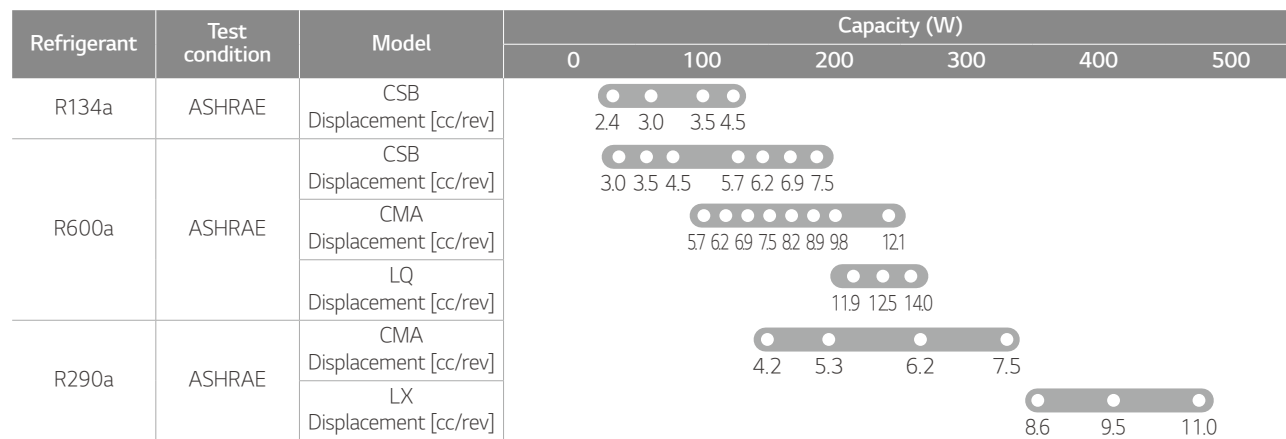


Note :

Test condition	Evaporating temperature	Condensing temperature	Ambient temperature
ASHRAE	-23.3°C	54.4°C	32.2°C

Fixed Speed

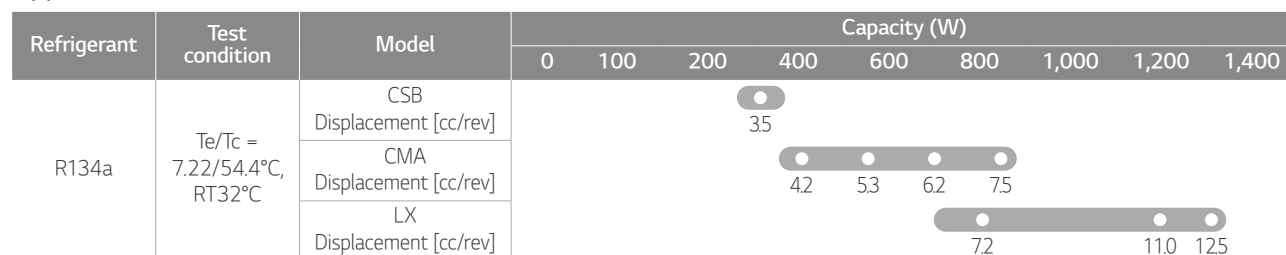
Application : LBP



Note :

Test condition	Evaporating temperature	Condensing temperature	Ambient temperature
ASHRAE	-23.3°C	54.4°C	32.2°C

Application : HBP



Nomenclature

B M K 090 N A M V

Product type

- B : Variable speed
- C : Fixed speed

Size

- C : Compact
- L : Large
- M : Medium
- S : Small

Generation code

(A-Z)

Capacity

Displacement
(ex : 098=9.8cc/rev)

Operating type

Code	Operating type
G	RSIR
M	RSCR
F	CSIR
H	CSR
K	RSIR
N	RSCR
P	CSIR
R	CSR

Rated voltage & frequency

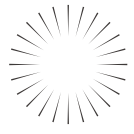
Code	Voltage	Hz	Code	Voltage	Hz
A	100	50/60	Q	110-115	60
B	220	50/60	R	110-127	60
C	115	60	S	200-220	50
D	220	60		220	60
E	220-240	50	T	220-240	50
F	127	60		220	60
J	220	50	U	115-127	60
K	110	60	M	220-240	50/60
L	240	50	N	115-127	50/60
P	110	50			

Improvement order

A/B/C : Cu Wire
H/J : Al Wire

Refrigerants

- L : R134a
- H : R134a HBP
- N : R600a
- P : R290a



Specification

Variable Speed R600A [1 of 6]

Application : LBP

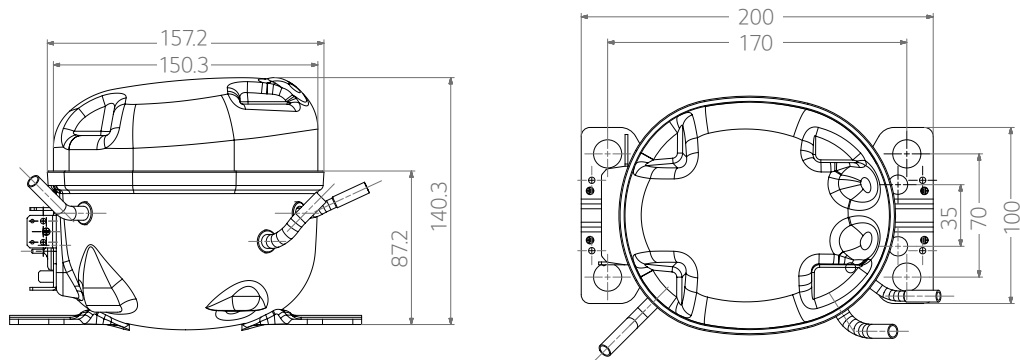
Refrigerant	Series	Model	Motor Type	Voltage	Frequency	Test Condition	Speed Range	Speed	Performance					Dimension	
									Capacity			EER	COP		Height
									[RPM]	[Kcal/hr]	[Btu/Whr]				
R600A	BSA	BSA057NAMV	BLDC	220 - 240	50 / 60	ASHRAE -23.3 °C / 54.4 °C	1,260 ~ 4,500	4,500	126	501	147	6.07	1.78	140	
								3,000	87	344	101	6.35	1.86		
								1,800	54	215	63	6.48	1.90		
								1,260	35	141	41	5.83	1.71		
		BSA057NHMV	BLDC	220 - 240	50 / 60	ASHRAE -23.3 °C / 54.4 °C	1,320 ~ 4,500	4,500	126	502	147	5.66	1.66	140	
								3,600	101	399	117	5.87	1.72		
								1,800	54	215	63	6.04	1.77		
								1,500	44	174	51	5.84	1.71		
		*BSA057NJMV	BLDC	220 - 240	50 / 60	ASHRAE -23.3 °C / 54.4 °C	1,260 ~ 4,500	4,500	126	502	147	5.56	1.63	140	
								3,000	87	345	101	6.11	1.79		
								1,800	54	215	63	6.14	1.80		
								1,260	35	140	41	5.83	1.71		
		BSA057NCW	BLDC	12 / 24V	-	ASHRAE -23.3 °C / 54.4 °C	2,100 ~ 3,900	3,900	107	423	124	4.54	1.33	140	
								2,100	57	226	66	4.74	1.39		
		BSA075NBMV	BLDC	220 - 240	50 / 60	ASHRAE -23.3 °C / 54.4 °C	1,320 ~ 4,500	4,500	165	655	192	5.66	1.66	140	
								3,000	117	464	136	5.97	1.75		
								1,800	71	283	83	6.11	1.79		
								1,320	51	201	59	5.80	1.70		
		BSA075NHMV	BLDC	220 - 240	50 / 60	ASHRAE -23.3 °C / 54.4 °C	1,320 ~ 4,500	4,500	165	655	192	5.58	1.64	140	
								3,000	117	464	136	5.90	1.73		
								1,800	71	283	83	5.94	1.74		
								1,320	51	201	59	5.32	1.56		

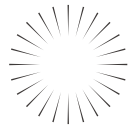
Variable Speed R600A [2 of 6]

Application : LBP

Refrigerant	Series	Model	Motor Type	Voltage	Frequency	Test Condition	Speed Range	Speed	Performance					Dimension	
									Capacity			EER	COP		Height
									[RPM]	[Kcal/hr]	[Btu/Whr]				
R600A	BSA	*BSA075NJMV	BLDC	220 - 240	50 / 60	ASHRAE -23.3 °C / 54.4 °C	1,260 ~ 4,500	4,500	165	655	192	5.47	1.60	140	
								3,000	117	464	136	5.84	1.71		
								1,800	71	283	83	5.97	1.75		
								1,260	51	201	59	5.34	1.57		
		BSA090NCMV	BLDC	220 - 240	50 / 60	ASHRAE -23.3 °C / 54.4 °C	1,260 ~ 4,500	4,500	194	768	225	5.97	1.75	140	
								3,000	140	556	163	6.48	1.90		
								1,980	95	375	110	6.65	1.95		
								1,800	86	341	100	6.65	1.95		
		BSA090NAMV	BLDC	220 - 240	50 / 60	ASHRAE -23.3 °C / 54.4 °C	1,260 ~ 4,500	4,500	194	768	225	5.63	1.65	140	
								3,000	140	556	163	6.14	1.80		
								1,980	95	375	110	6.48	1.90		
								1,800	86	341	100	6.48	1.90		
		BSA090NKMV	BLDC	220 - 240	50 / 60	ASHRAE -23.3 °C / 54.4 °C	1,260 ~ 4,500	4,500	194	768	225	5.36	1.57	140	
								3,000	140	556	163	5.80	1.70		
								1,980	95	375	110	6.14	1.80		
								1,800	86	341	100	6.01	1.76		
		BSA090NJMV	BLDC	220 - 240	50 / 60	ASHRAE -23.3 °C / 54.4 °C	1,260 ~ 4,500	4,500	194	768	225	5.19	1.52	140	
								3,000	140	556	163	5.60	1.64		
								1,800	86	341	100	5.80	1.70		
								1,260	58	232	68	5.39	1.58		

- BSA





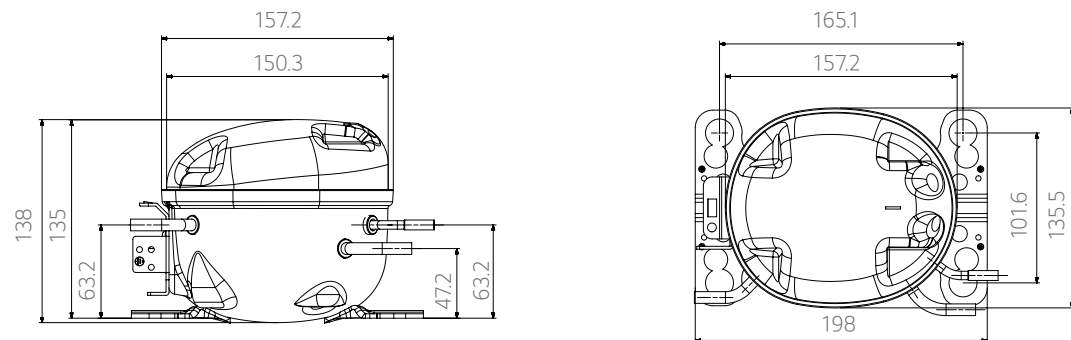
Specification

Variable Speed R600A [3 of 6]

Application : LBP

Refrigerant	Series	Model	Motor Type	Voltage [V]	Frequency [Hz]	Test Condition	Speed Range [RPM]	Speed [RPM]	Performance					Dimension [mm]	
									Capacity			EER [Btu/W/hr]	COP [W/W]		
									[Kcal/hr]	[Btu/W/hr]	[Watts]				
R600A	BSD *Static cooling	BSD057NHMV *Planning to develop	BLDC	220 - 240	50 / 60	ASHRAE -23.3 °C / 54.4 °C	1,200 ~ 4,500	4,500	121	481	141	6.04	1.77	135	
								3,000	86	341	100	6.48	1.90		
								1,800	52	208	61	6.65	1.95		
								1,200	34	136	40	6.24	1.83		
		BSD075NHMV *Planning to develop	BLDC	220 - 240	50 / 60		1,260 ~ 4,500	4,500	168	665	195	6.04	1.77		135
								3,000	120	474	139	6.48	1.90		
								1,800	72	287	84	6.65	1.95		
								1,200	47	188	55	6.24	1.83		
		BSD090NHMV *Under Developing	BLDC	220 - 240	50 / 60		1,320 ~ 4,500	4,500	200	792	232	6.04	1.77		135
								3,000	143	566	166	6.48	1.90		
								1,800	86	341	100	6.65	1.95		
								1,200	56	222	65	6.24	1.83		
	BSD110NHMV *Planning to develop	BLDC	220 - 240	50 / 60	1,260 ~ 4,500	4,500	245	972	285	5.87	1.72	135			
						3,000	175	693	203	6.38	1.87				
						1,800	106	420	123	6.55	1.92				
						1,200	69	273	80	6.14	1.80				

- BSD

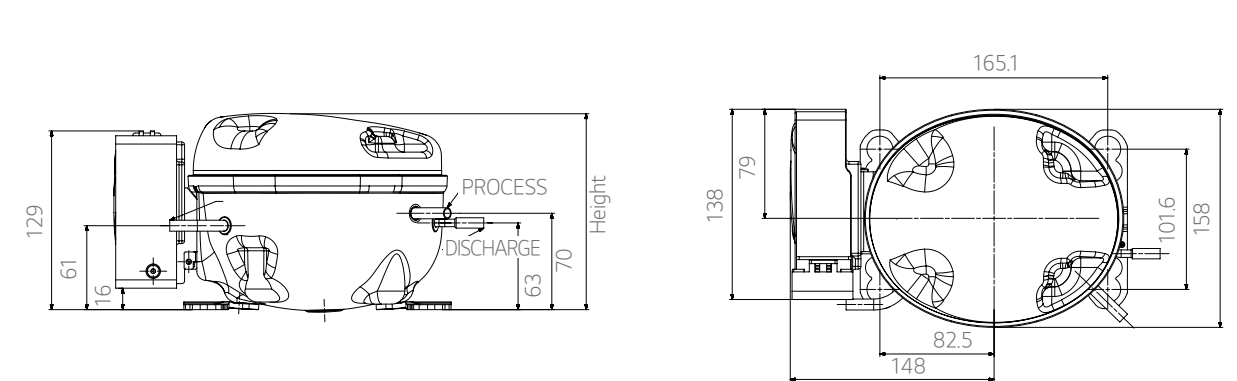


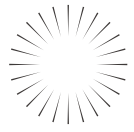
Variable Speed R600A [4 of 6]

Application : LBP

Refrigerant	Series	Model	Motor Type	Voltage [V]	Frequency [Hz]	Test Condition	Speed Range [RPM]	Speed [RPM]	Performance					Dimension [mm]
									Capacity			EER [Btu/W/hr]	COP [W/W]	
									[Kcal/hr]	[Btu/W/hr]	[Watts]			
R600A	BMH	BMH130NBMV	BLDC	220 - 240	50 / 60	ASHRAE -23.3 °C / 54.4 °C	1,020 ~ 4,500	4,500	273	1,082	317	5.46	1.60	139
								3,600	241	958	281	5.63	1.65	
								3,000	206	819	240	6.04	1.77	
								1,800	127	505	148	6.24	1.83	
								1,020	71	283	83	5.97	1.75	
								1,020	71	283	83	6.38	1.87	
		BMH130NCMV	BLDC	220 - 240	50 / 60		1,020 ~ 4,500	4,500	266	1,058	310	5.36	1.57	139
								1,800	127	505	148	6.72	1.97	
								1,020	71	283	83	6.38	1.87	
								1,020	71	283	83	6.38	1.87	

- BMH





Specification

Variable Speed R600A [5 of 6]

Application : LBP

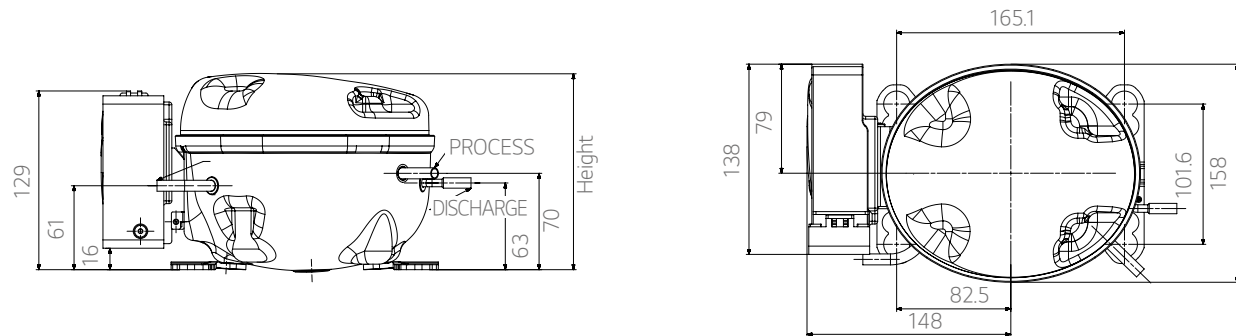
Refrigerant	Series	Model	Motor Type	Voltage [V]	Frequency [Hz]	Test Condition	Speed Range [RPM]	Speed [RPM]	Performance					Dimension [mm]
									Capacity			EER	COP	
									[Kcal/hr]	[Btu/Whr]	[Watts]	[Btu/Whr]	[W/W]	
R600A	BMK	BMK070NAMV	BLDC	220 - 240	50 / 60	ASHRAE -23.3 °C / 54.4 °C	900 ~ 4,500	4,500	155	615	180	5.94	1.74	139
								3,000	109	434	127	6.79	1.99	
								1,800	66	263	77	6.90	2.02	
								1,020	37	147	43	6.44	1.89	
								900	31	123	36	6.23	1.83	
		BMK070NKMV	BLDC	220 - 240	50 / 60		900 ~ 4,500	4,500	155	615	180	5.82	1.70	139
								3,000	109	434	127	6.66	1.95	
								1,800	66	263	77	6.76	1.98	
								1,020	37	147	43	6.32	1.85	
								900	31	123	36	6.11	1.79	
		BMK080NAMV *Under Developing	BLDC	220 - 240	50 / 60		900 ~ 4,500	4,500	176	700	205	5.81	1.70	139
								3,600	146	580	170	6.66	1.95	
								3,000	128	509	149	6.66	1.95	
								1,800	77	307	90	6.95	2.04	
								1,020	43	172	51	6.66	1.95	
		BMK090NAMV	BLDC	220 - 240	50 / 60		900 ~ 4,500	4,500	198	788	231	5.90	1.73	139
								3,600	164	652	191	6.76	1.98	
								3,000	144	573	168	6.76	1.98	
								1,800	87	345	101	7.06	2.07	
								1,020	49	194	57	6.76	1.98	
		BMK090NKMV	BLDC	220 - 240	50 / 60		900 ~ 4,500	4,500	198	788	231	5.67	1.66	139
								3,600	164	652	191	6.41	1.88	
								3,000	144	573	168	6.59	1.93	
								1,800	87	345	101	6.82	2.00	
1,020	49					194		57	6.50	1.90				
900	41	164	48	6.23	1.82									

Variable Speed R600A [6 of 6]

Application : LBP

Refrigerant	Series	Model	Motor Type	Voltage [V]	Frequency [Hz]	Test Condition	Speed Range [RPM]	Speed [RPM]	Performance					Dimension [mm]
									Capacity			EER	COP	
									[Kcal/hr]	[Btu/Whr]	[Watts]	[Btu/Whr]	[W/W]	
R600A	BMK	BMK110NAMV	BLDC	220 - 240	50 / 60	ASHRAE -23.3 °C / 54.4 °C	900 ~ 4,500	4,500	241	955	280	5.90	1.73	139
								3,600	202	802	235	6.76	1.98	
								3,000	176	699	205	6.62	1.94	
								1,800	110	437	128	6.99	2.05	
								1,020	58	232	68	6.65	1.95	
		BMK110NKMV	BLDC	220 - 240	50 / 60		900 ~ 4,500	4,500	241	955	280	5.67	1.66	139
								3,600	202	802	235	6.41	1.88	
								3,000	176	699	205	6.45	1.89	
								1,800	110	437	128	6.75	1.98	
								1,020	58	232	68	6.39	1.87	
		BMK110NJMV	BLDC	220 - 240	50 / 60		900 ~ 4,080	4,080	218	867	254	-	-	139
								3,000	176	699	205	6.15	1.80	
								1,800	110	437	128	6.25	1.83	
								900	52	205	60	5.12	1.50	
								4,500	278	1,102	323	5.59	1.64	
		BMK130NAMV	BLDC	220 - 240	50 / 60		900 ~ 4,500	4,500	212	843	247	6.54	1.92	139
								3,600	132	523	153	7.06	2.07	
								1,800	76	301	88	6.69	1.96	
								4,500	299	1,187	348	5.53	1.62	
								3,600	229	908	266	6.48	1.90	
		BMK140NAMV	BLDC	220 - 240	50 / 60		900 ~ 4,500	1,800	142	563	165	6.99	2.05	139
								1,020	82	324	95	6.62	1.94	

· BMK





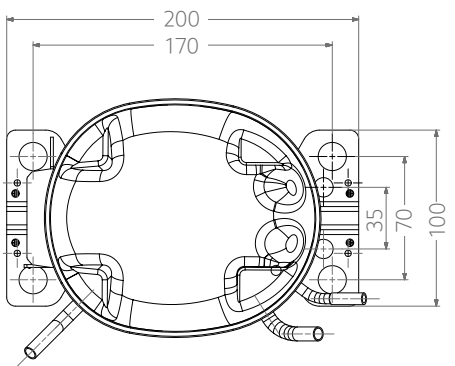
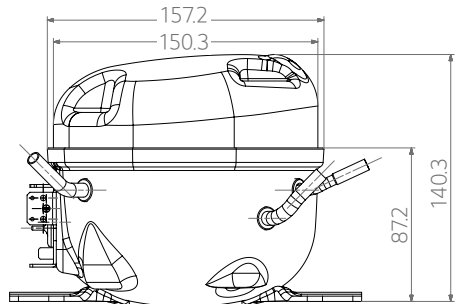
Specification

Variable Speed R134A

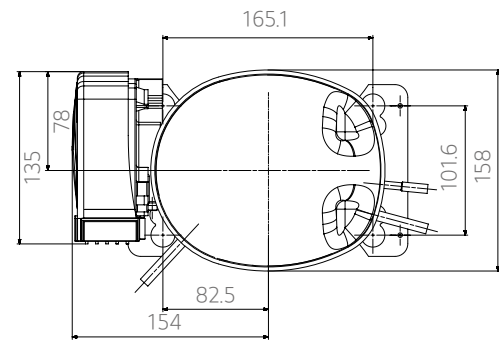
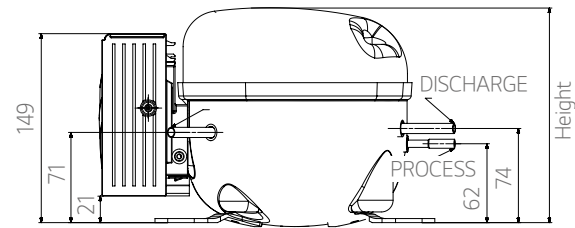
Application : LBP

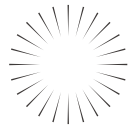
Refrigerant	Series	Model	Motor Type	Voltage	Frequency	Test Condition	Speed Range	Speed	Performance					Dimension	
									Capacity			EER	COP		Height
									[RPM]	[RPM]	[Kcal/hr]	[Btu/Whr]	[Watts]		
R134A	BSA	BSA025LCW	BLDC	12 / 24V		ASHRAE -23.3 °C / 54.4 °C	2,100	3,900	61	242	71	4.16	1.22	140	
							~ 3,900	2,100	30	119	35	4.13	1.21		
		BSA035LCW	BLDC	12 / 24V		ASHRAE -23.3 °C / 54.4 °C	2,100	3,900	104	413	121	4.30	1.26	140	
							~ 3,900	2,100	57	226	66	4.16	1.22		
	BMA	BMA082HAMV	BLDC	220 - 240	50 / 60	ASHRAE -23.3 °C / 54.4 °C	1,200	4,500	1,075	4,269	1,250	8.20	2.40	180	
							~ 4,500	3,300	785	3,116	913	9.30	2.72		
							1,500	367	1457	427	10.20	2.99			

- BSA



- BMA





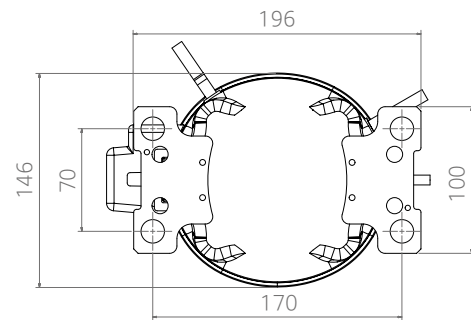
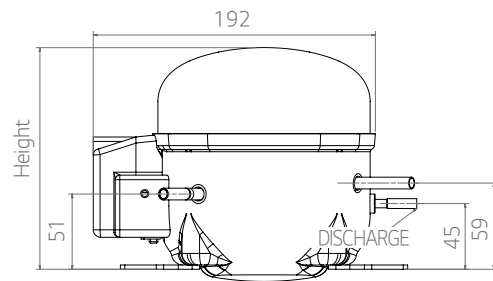
Specification

Fixed Speed R600A [1 of 4]

Application : LBP

Refrigerant	Series	Model	Motor Type	Voltage	Frequency	Test Condition	Performance					Dimension Height [mm]
							Capacity			EER	COP	
							[Kcal/hr]	[Btu/Whr]	[Watts]	[Btu/Whr]	[W/W]	
R600A	TS	TS36NATG	RSIR	220 - 240	50	ASHRAE -23.3 °C / 54.4 °C	43	171	50	2.56	0.75	137
				220	60		52	205	60	3.06	0.90	
	CSB	CSB030NHBG	RSIR	220	50	ASHRAE -23.3 °C / 54.4 °C	37	147	43	2.29	0.67	153
				220	60		46	183	53	3.41	1.00	
		CSB035NHAG	RSIR	100	50		45	179	52	2.59	0.76	163
				100	60		54	214	63	3.53	1.03	
		CSB035NKMG	RSIR	220 - 240	50		46	181	53	3.93	1.15	163
				220 - 240	60		54	215	63	4.27	1.25	
		CSB045NHAG	RSIR	100	50		64	254	74	4.36	1.28	163
				100	60		74	294	86	4.95	1.45	
		CSB045NHCG	RSIR	115	60		71	280	82	4.81	1.41	163
		CSB045NJEG	RSIR	220 - 240	50		60	239	70	4.68	1.37	163
	CSB057NHCG	RSIR	115	60	103	409	120	5.12	1.50	163		

· TS

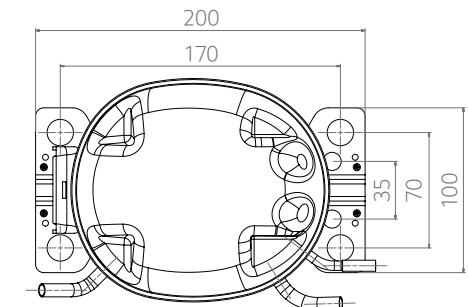
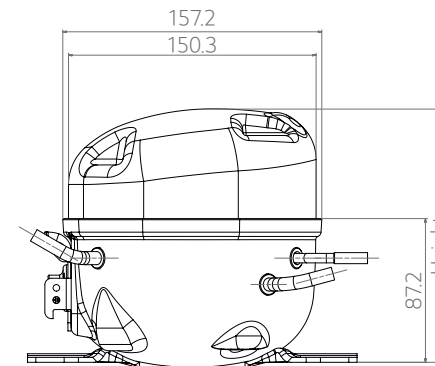


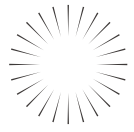
Fixed Speed R600A [2 of 4]

Application : LBP

Refrigerant	Series	Model	Motor Type	Voltage	Frequency	Test Condition	Performance					Dimension Height [mm]
							Capacity			EER	COP	
							[Kcal/hr]	[Btu/Whr]	[Watts]	[Btu/Whr]	[W/W]	
R600A	CSB	CSB057NHDM	RSCR	220	60	ASHRAE -23.3 °C / 54.4 °C	103	409	120	5.43	1.59	163
		CSB057NJEG	RSIR	220 - 240	50		86	341	100	4.43	1.30	153
		CSB057NHEG	RSIR	220 - 240	50		86	341	100	5.02	1.47	163
		CSB057NJAM	RSCR	100	50		86	341	100	5.04	1.48	163
				100	60		105	416	122	5.59	1.64	
		CSB062NHAG	RSIR	100	50		99	393	115	4.73	1.39	163
				100	60		114	451	132	5.18	1.52	
		CSB069NHAG	RSIR	100	50		110	437	128	4.86	1.42	163
				100	60		126	500	147	5.23	1.53	
		CSB069NHAM	RSCR	100	50		110	437	128	5.12	1.50	163
				100	60		126	500	147	5.46	1.60	
		CSB069NJEG	RSIR	220 - 240	50		108	429	126	4.78	1.40	163
		CSB075NJEG	RSIR	220 - 240	50		120	475	139	4.65	1.36	163
		CSB075NAEM	RSCR	220 - 240	50		116	461	135	5.53	1.62	163

· CSB





Specification

Fixed Speed R600A [3 of 4]

Application : LBP

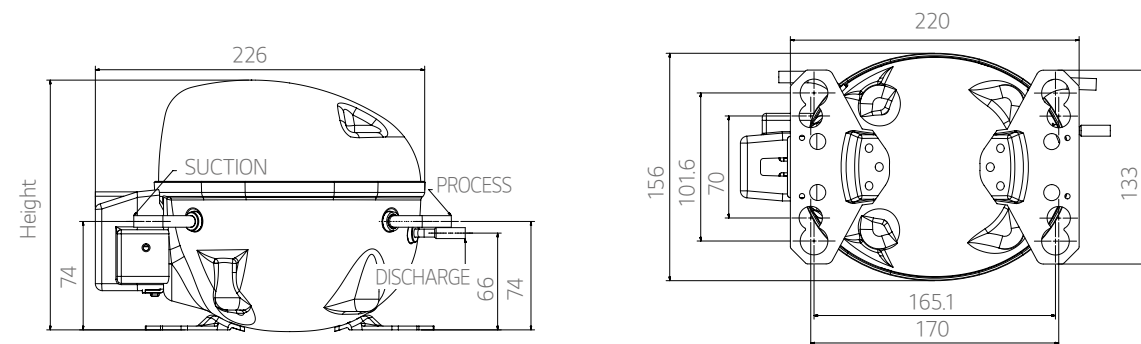
Refrigerant	Series	Model	Motor Type	Voltage	Frequency	Test Condition	Performance					Dimension
							Capacity			EER	COP	Height
							[Kcal/hr]	[Btu/Whr]	[Watts]	[Btu/Whr]	[W/W]	
R600A	CMA	CMA057NHEM	RSCR	220 ~ 240	50	ASHRAE -23.3 °C / 54.4 °C	84	333	98	6.15	1.80	171
		CMA057NJEG	RSIR	220 ~ 240	50		86	341	100	5.57	1.63	171
		CMA057NHAG	RSIR	100	50		86	341	100	5.26	1.54	171
				100	60		104	413	121	5.60	1.64	
		CMA062NHEM	RSCR	220 ~ 240	50		96	382	112	6.32	1.85	171
		CMA062NHDM	RSCR	220	60		111	440	129	5.80	1.70	171
		CMA069NHEM	RSCR	220 ~ 240	50		106	420	123	6.18	1.81	171
				100	50		104	415	122	5.53	1.62	
		CMA069NHAM	RSCR	100	60		122	485	142	5.97	1.75	171
				100	50		120	475	139	6.38	1.87	
		CMA075NAEM	RSCR	220 ~ 240	50		120	475	139	6.15	1.80	171
		CMA075NHEM	RSCR	220 ~ 240	50		120	475	139	5.60	1.64	171
		CMA075NHAM	RSCR	100	50		136	539	158	5.87	1.72	
				100	60		120	475	139	4.78	1.40	
		CMA075NKJG	RSIR	220	50		120	475	139	4.78	1.40	171
		CMA075NHDF	CSIR	220	60		134	533	156	5.74	1.68	171
		CMA082NAEM	RSCR	220 ~ 240	50		129	512	150	6.66	1.95	171
		CMA082NHEM	RSCR	220 ~ 240	50		127	504	148	6.29	1.84	171
		CMA082NJEG	RSIR	220 ~ 240	50		127	504	148	5.63	1.65	171
		CMA082NAAM	RSCR	100	50		129	512	150	6.18	1.81	171
100	60			146	580	170	6.18	1.81				

Fixed Speed R600A [4 of 4]

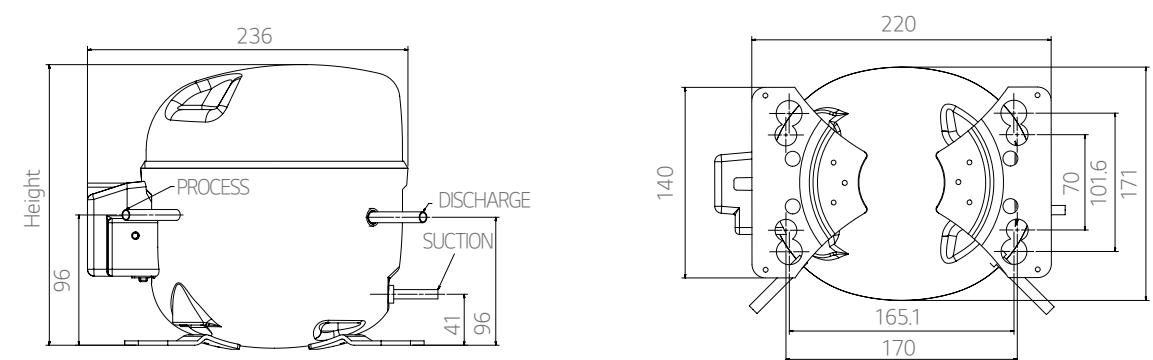
Application : LBP

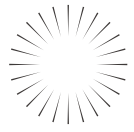
Refrigerant	Series	Model	Motor Type	Voltage	Frequency	Test Condition	Performance					Dimension		
							Capacity			EER	COP	Height		
							[Kcal/hr]	[Btu/Whr]	[Watts]	[Btu/Whr]	[W/W]		[mm]	
R600A	CMA	CMA082NAUM	RSCR	115 ~ 117	60	ASHRAE -23.3 °C / 54.4 °C	146	580	170	5.97	1.75	171		
		CMA089NAEM	RSCR	220 ~ 240	50		139	552	162	6.56	1.92	171		
		CMA089NHDF	CSIR	220	60		157	625	183	5.46	1.60	171		
		CMA089NHDM	RSCR	220	60		166	659	193	6.08	1.78	171		
		CMA089NHEM	RSCR	220 ~ 240	50		138	548	160	6.28	1.84	171		
		CMA089NJUG	RSIR	220	50		139	553	162	5.46	1.60	171		
		CMA089NJUM	RSCR	220	50		139	553	162	5.70	1.67	171		
		CMA098NHEM	RSCR	220 ~ 240	50		156	619	181	6.32	1.85	171		
		CMA098NJEG	RSIR	220 ~ 240	50		155	615	180	5.46	1.60	171		
		CMA098NAEM	RSCR	220 ~ 240	50		155	615	180	6.35	1.86	171		
		CMA098NJUM	RSCR	220	50		155	615	180	5.63	1.65	171		
		CMA098NKJG	RSIR	220	50		155	615	180	4.85	1.42	171		
		CMA110NJUM	RSCR	220	50		170	676	198	5.29	1.55	171		
		CMA110NAEM	RSCR	220 ~ 240	50		167	662	194	6.32	1.85	171		
		CMA110NAUM	RSCR	220	50		171	679	199	5.87	1.72	171		
		CMA110NKJG	RSIR	220	50		167	662	194	4.95	1.45	171		
		CMA110NHUM	RSCR	100 ~ 127	60		202	802	235	6.15	1.80	171		
		CMA121NHJM	RSCR	220	50		191	758	222	5.53	1.62	171		
		LQ	LQ140NAEM	RSCR	220 ~ 240		50	ASHRAE -23.3 °C / 54.4 °C	228	905	265	6.28	1.84	203

- CMA



- LQ





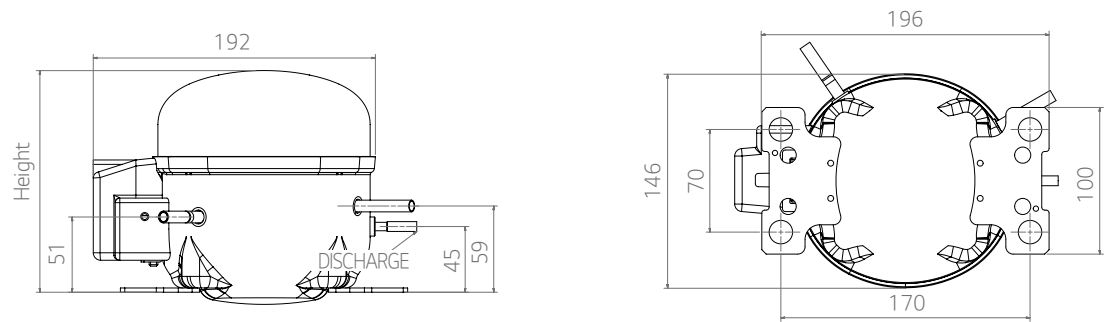
Specification

Fixed Speed R134A [1 of 5]

Application : LBP

Refrigerant	Series	Model	Motor Type	Voltage	Frequency	Test Condition	Performance					Dimension	
							Capacity			EER	COP		Height
							[Kcal/hr]	[Btu/Whr]	[Watts]				
R134A	TS	TS22LHAG	RSIR	100	50	ASHRAE -23.3 °C / 54.4 °C	36	143	42	1.83	0.54	137	
				100	60		45	179	52	2.36	0.69		
		TS22LHEG	RSIR	220 - 240	50		36	143	42	2.20	0.64	151	
							45	179	52	2.29	0.67	137	
		TS22LHCG	RSIR	115	60		45	179	52	2.29	0.67	137	
							39	155	45	2.21	0.65	137	
		TS22LHDG	RSIR	220	60		48	191	56	2.61	0.76		137
							48	191	56	2.44	0.71		
		TS24LAAG	RSIR	100	50		46	183	53	2.50	0.73	137	
							48	191	56	2.38	0.70		
		TS24LACG	RSIR	115	60		38	151	44	2.10	0.62	137	
							48	191	56	2.65	0.78		
		TS24LADG	RSIR	220	60		48	191	56	2.45	0.72	137	
							39	155	45	2.21	0.65		
		TS24LAFG	RSIR	127	60		48	191	56	2.61	0.76	151	
							50	199	58	2.65	0.78		
		TS24LATG	RSIR	220 - 240	50		38	151	44	1.99	0.58	151	
							40	159	47	2.10	0.62		
		TS24LBDM	RSIR	220	60		50	199	58	2.65	0.78	151	
							48	191	56	2.44	0.71		
TS24LHAG	RSIR	100	50	48	191	56	2.44	0.71	151				
				38	151	44	1.99	0.58					
TS24LHDG	RSIR	220	60	48	191	56	2.44	0.71	151				
				38	151	44	1.99	0.58					
TS24LHJG	RSIR	220	50	48	191	56	2.44	0.71	151				
				40	159	47	2.10	0.62					
TS24LHTG	RSIR	220	60	48	191	56	2.44	0.71	151				
				38	151	44	1.99	0.58					
TS24LHJG	RSIR	115 - 127	60	48	191	56	2.44	0.71	151				
				38	151	44	1.99	0.58					
TS24LJG	RSIR	220	50	48	191	56	2.44	0.71	151				
				38	151	44	1.99	0.58					

· TS

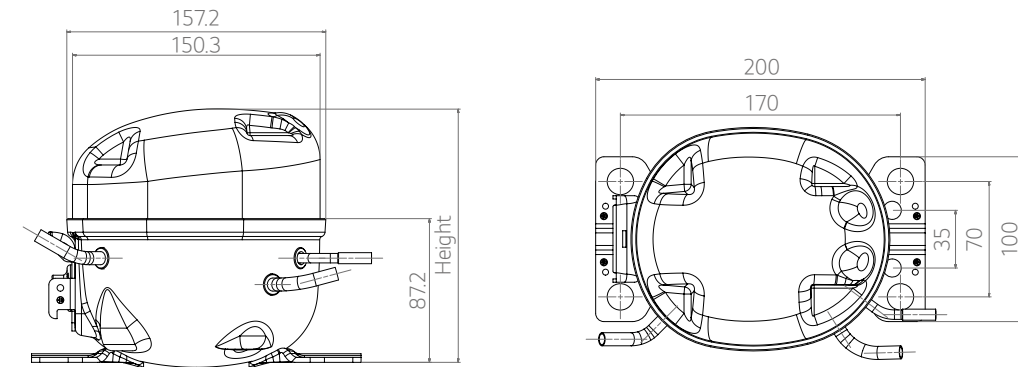


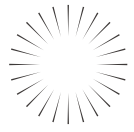
Fixed Speed R134A [2 of 5]

Application : LBP

Refrigerant	Series	Model	Motor Type	Voltage	Frequency	Test Condition	Performance					Dimension	
							Capacity			EER	COP		Height
							[Kcal/hr]	[Btu/Whr]	[Watts]				
R134A	CSB	CSB024LAAG	RSIR	100	50	ASHRAE -23.3 °C / 54.4 °C	45	179	52	2.88	0.84	153	
				100	60		54	214	63	3.25	0.95		
		CSB024LHMG	RSIR	220 - 240	50		45	179	52	3.10	0.91	153	
							54	214	63	3.60	1.05		
		CSB024LJMG	RSIR	220 - 240	50		36	143	42	2.75	0.81	153	
							47	187	55	3.42	1.00		
		CSB024LHUG	RSIR	100 - 127	60		54	214	63	3.00	0.88	153	
							65	258	76	3.25	0.95		
		CSB030LHMG	RSIR	220 - 240	50		78	310	91	3.79	1.11	163	
							65	258	76	3.29	0.96		
		CSB030LHMM	RSCR	220 - 240	50		78	311	91	3.86	1.13	163	
							75	298	87	3.60	1.05		
		CSB030LHJG	RSIR	110 - 115	60		78	310	91	3.05	0.89	153	
							60	238	70	3.05	0.89		
		CSB030LJG	RSIR	220	50		65	258	76	3.59	1.05	163	
							75	298	87	3.83	1.12		
		CSB030LHAG	RSIR	100	50		77	306	90	3.12	0.91	163	
							92	365	107	3.60	1.05		
		CSB035LHMG	RSIR	220 - 240	50		77	306	90	3.22	0.94	163	
							92	365	107	3.75	1.10		
CSB035LHMM	RSCR	220 - 240	50	91	362	106	3.57	1.05	153				
				75	298	87	3.31	0.97					
CSB035LJCM	RSCR	115	60	92	365	107	3.84	1.12	163				
				75	298	87	3.31	0.97					
CSB035LHAG	RSIR	100	50	92	365	107	3.84	1.12	163				
				75	298	87	3.31	0.97					

· CSB





Specification

Fixed Speed R134A [3 of 5]

Application : LBP

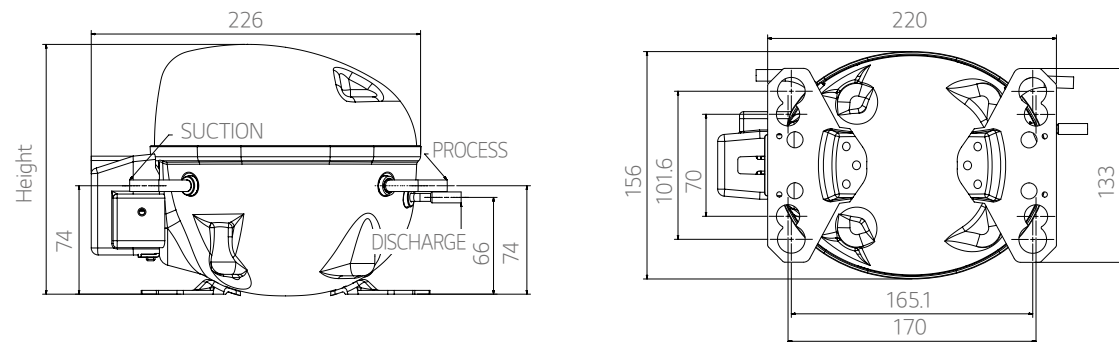
Refrigerant	Series	Model	Motor Type	Voltage	Frequency	Test Condition	Performance					Dimension
							Capacity			EER	COP	Height
							[Kcal/hr]	[Btu/Whr]	[Watts]	[Btu/Whr]	[W/W]	
R134A	CMA	CMA042LHCM	RSCR	115	60	ASHRAE -23.3 °C / 54.4 °C	110	437	128	4.96	1.45	171
		CMA042LHDG	RSIR	220	60		109	433	127	4.80	1.41	163
		CMA042LHEG	RSIR	220 - 240	50		92	365	107	4.62	1.35	171
		CMA042LHEM	RSCR	220 - 240	50		92	365	107	4.81	1.41	171
		CMA042LAEM	RSCR	220 - 240	50		92	365	107	5.14	1.51	171
		CMA042LHCG	RSIR	115	60		110	437	128	4.80	1.41	171
		CMA042LHCM	RSCR	115	60		110	437	128	4.96	1.45	171
		CMA053LAEM	RSCR	220 - 240	50		125	496	145	5.34	1.56	171
		CMA053LHCG	RSIR	115	60		148	588	172	4.82	1.41	171
		CMA053LHCM	RSCR	115	60		148	588	172	5.07	1.48	171
		CMA053LHDG	RSIR	220	60		141	560	164	4.70	1.38	163
		CMA053LHDM	RSCR	220	60		146	580	170	4.90	1.44	163
		CMA053LHEG	RSIR	220 - 240	50		125	496	145	4.68	1.37	171
		CMA053LHEM	RSCR	220 - 240	50		125	496	145	4.89	1.43	171
		CMA053LJCM	RSCR	115	60		146	580	170	4.80	1.41	163
		CMA053LKTM	RSCR	220 - 240	50		120	476	140	4.96	1.45	171
				220	60		141	560	164	5.43	1.59	
		CMA057LAEM	RSCR	220 - 240	50		141	558	163	5.50	1.61	171
		CMA057LCDG	RSIR	220	60		160	635	186	5.29	1.55	171
		CMA057LCDM	RSCR	220	60		160	635	186	5.43	1.59	171
		CMA057LHJG	RSIR	220	50		138	548	160	4.45	1.30	171
		CMA057LBEM	RSCR	220 - 240	50		141	560	164	5.60	1.64	171
		CMA057LHEG	RSIR	220 - 240	50		138	548	160	4.83	1.41	171
		CMA057LHEM	RSCR	220 - 240	50		138	548	160	4.98	1.46	171

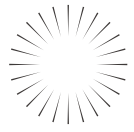
Fixed Speed R134A [4 of 5]

Application : LBP

Refrigerant	Series	Model	Motor Type	Voltage	Frequency	Test Condition	Performance					Dimension
							Capacity			EER	COP	Height
							[Kcal/hr]	[Btu/Whr]	[Watts]	[Btu/Whr]	[W/W]	
R134A	CMA	CMA057LKTM	RSCR	220 - 240	50	ASHRAE -23.3 °C / 54.4 °C	138	548	160	4.85	1.42	171
				220	60		160	635	186	5.29	1.55	
		CMA062LBEM	RSCR	220 - 240	50		151	599	176	5.64	1.65	171
		CMA062LCEM	RSCR	220 - 240	50		156	619	181	5.79	1.70	171
		CMA062LHCM	RSCR	115	60		175	695	203	4.89	1.43	171
		CMA062LHEG	RSIR	220 - 240	50		153	607	178	4.98	1.46	171
		CMA062LHEM	RSCR	220 - 240	50		153	607	178	5.19	1.52	171
		CMA062LKEG	RSIR	220 - 240	50		148	588	172	4.82	1.41	171
		CMA062LKEM	RSCR	220 - 240	50		148	588	172	5.02	1.47	171
		CMA069LAEM	RSCR	220 - 240	50		165	655	192	5.50	1.61	171
		CMA069LATM	RSCR	220 - 240	50		168	667	195	5.17	1.51	171
				220	60		202	802	235	5.49	1.61	171
		CMA069LBEM	RSCR	220 - 240	50		168	667	195	5.75	1.68	171
		CMA069LHEM	RSCR	220 - 240	50		168	667	195	5.20	1.52	171
		CMA069LKEM	RSCR	220 - 240	50		161	639	187	5.15	1.51	171
		CMA069LKDM	RSCR	220	60		190	754	221	5.05	1.48	171
		CMA069LJDM	RSIR	220	60		190	754	221	4.84	1.42	171
		CMA075LAEM	RSCR	220 - 240	50		185	734	215	5.69	1.67	171
				220 - 240	50		185	734	215	5.17	1.51	171
		CMA075LATM	RSCR	220	60		222	881	258	5.47	1.60	
		CMA075LKJM	RSCR	220	50		191	758	208	5.70	1.42	171
		CMA075LBEM	RSCR	220 - 240	50		191	758	222	5.70	1.67	171
		CMA075LKDM	RSCR	220	60		218	865	253	5.16	1.51	171

- CMA





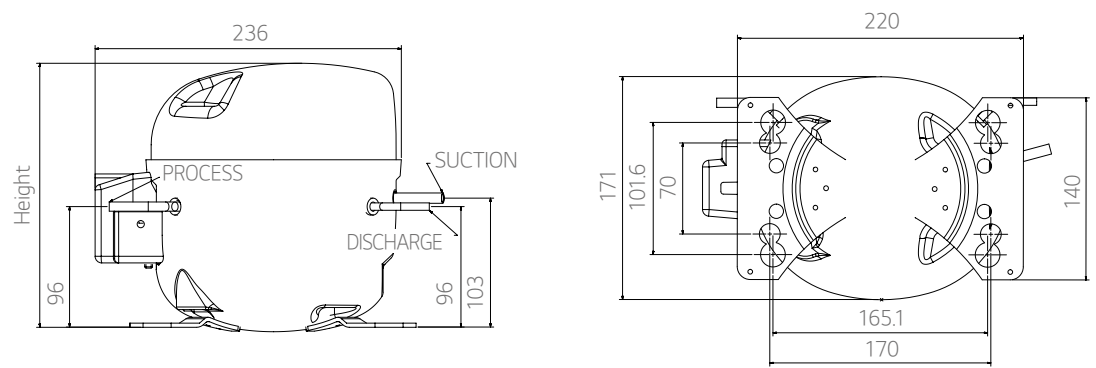
Specification

Fixed Speed R134A [5 of 5]

Application : LBP

Refrigerant	Series	Model	Motor Type	Voltage	Frequency	Test Condition	Performance					Dimension	
							Capacity			EER	COP		Height
							[Kcal/hr]	[Btu/Whr]	[Watts]	[Btu/Whr]	[W/W]		
R134A	LX	LX72LATG	RSIR	220 ~ 240	50	ASHRAE -23.3 °C / 54.4 °C	170	675	198	4.24	1.24	203	
				220	60		213	846	248	4.67	1.37		
		LX72LHJH	CSR	220	50		172	683	200	4.24	1.24	203	
		LX72LHQF	CSIR	110 ~ 115	60		213	846	248	3.91	1.15	203	
		LX86LACM	RSCR	115	60		245	973	285	4.91	1.44	203	
		LX86LADM	RSCR	220	60		250	993	291	5.14	1.51	203	
		LX86LCEG	RSIR	220 ~ 240	50		194	770	226	4.23	1.24	203	
		LX86LHCM	RSCR	115	60		245	973	285	4.79	1.40	203	
		LX86LHEM	RSCR	220 ~ 240	50		194	770	226	4.30	1.26	203	
		LX86LPBP	CSIR	220	50		196	778	228	4.10	1.20	203	
				220	60		247	981	287	4.50	1.32		
		LX95LABH	CSR	220	50		230	913	267	4.35	1.27	203	
				220	60		280	1,112	326	4.96	1.45		
		LX95LABM	RSCR	220	50		230	913	267	4.35	1.27	203	
				220	60		280	1,112	326	4.96	1.45		
		LX95LAQH	CSR	110 ~ 115	60		285	1,131	331	4.92	1.44	203	
		LX95LHBM	RSCR	220	50		230	913	267	4.41	1.29	203	
				220	60		280	1,112	326	4.97	1.46		
		LX110AAH	CSR	100	50		270	1,072	314	4.20	1.23	203	
				100	60		300	1,191	349	4.67	1.37		
LX110LAJM	RSCR	220	50	270	1,072	314	4.54	1.33	203				
LX110LAJH	CSR	220	50	270	1,072	314	4.54	1.33	203				
LX125LAJM	RCSR	220	50	315	1,251	366	4.50	1.32	203				
LX125LAJP	CSIR	220	50	315	1,251	366	4.42	1.29	203				
LX125LBJM	RSCR	220	50	300	1,191	349	4.25	1.24	203				

- LX





Specification

Fixed Speed R134A [1 of 2]

Application : HBP

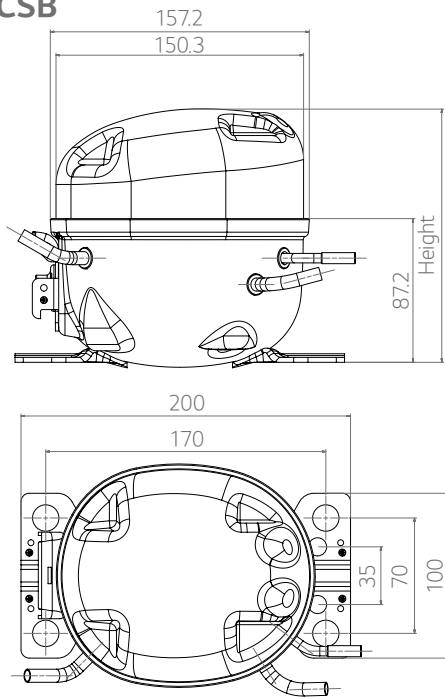
Refrigerant	Series	Model	Motor Type	Voltage	Frequency	Test Condition	Performance					Dimension
							Capacity			EER	COP	Height
							[Kcal/hr]	[Btu/Whr]	[Watts]	[Btu/Whr]	[W/W]	
R134A	CSB	CSB035HAEG	RSIR	220 ~ 240	50	Te/Tc = 7.22 / 54.4 °C RT35 °C	276	1,096	321	6.81	1.99	163
		CSB035HAQG	RSIR	110 ~ 115	60		320	1,270	372	6.69	1.96	163
		CSB035HHDG	RSIR	220	60		328	1,302	381	6.46	1.89	163
	CMA	CMA042HHDH	RSCR	220	60	Te/Tc = 7.22 / 54.4 °C RT35 °C	405	1,608	471	8.70	2.55	163
		CMA053HHDH	RSCR	220	60		514	2,041	598	8.90	2.61	163
		CMA053HHBP	CSIR	220	50		421	1,671	490	7.60	2.23	171
		CMA053HHBP	CSIR	220	60		505	2,005	587	8.22	2.41	171
		CMA062HHDH	RSCR	220	60		615	2,442	715	8.80	2.58	171
		CMA075HADH	RSCR	220	60		740	2,938	860	8.80	2.58	171

Fixed Speed R134A [2 of 2]

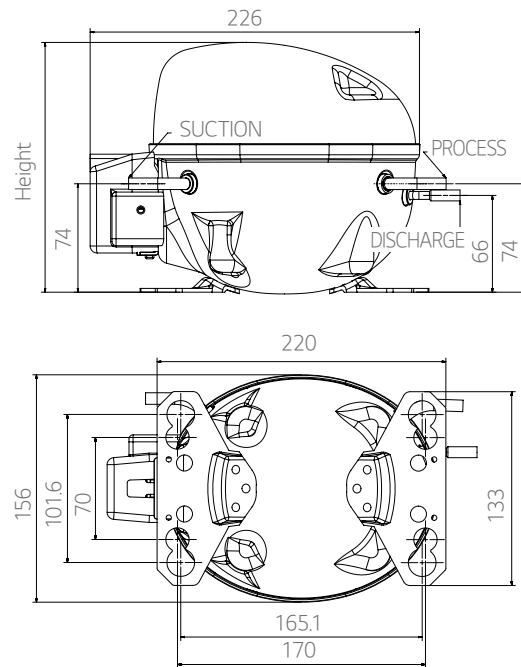
Application : HBP

Refrigerant	Series	Model	Motor Type	Voltage	Frequency	Test Condition	Performance					Dimension
							Capacity			EER	COP	Height
							[Kcal/hr]	[Btu/Whr]	[Watts]	[Btu/Whr]	[W/W]	
R134A	LX	LX125HPDP	CSIR	220	60	Te/Tc = 7.22 / 54.4 °C RT35 °C	1,160	4,605	1,349	6.06	1.77	203
		LX110HPDP	CSIR	220	60		1,000	3,970	1,163	6.30	1.85	203
		LX110HAEP	CSIR	220 ~ 240	50		910	3,613	1,058	7.18	2.10	203
		LX72HPDP	CSIR	220	60		700	2,779	814	7.20	2.11	203

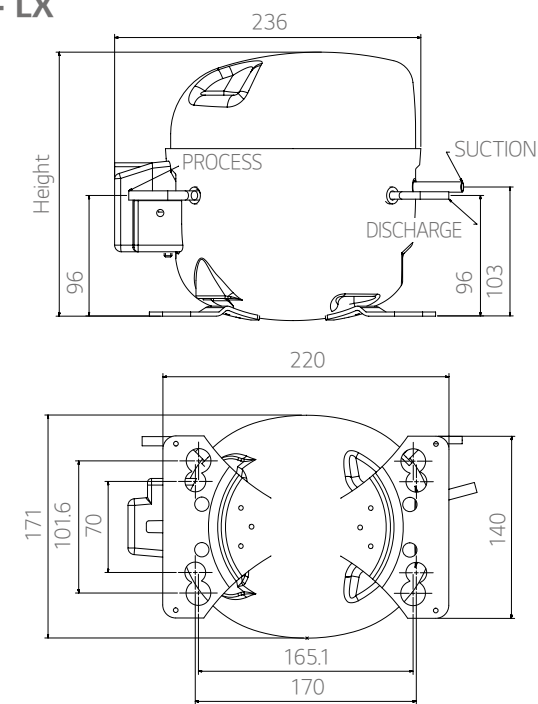
· CSB

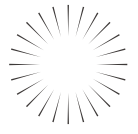


· CMA



· LX





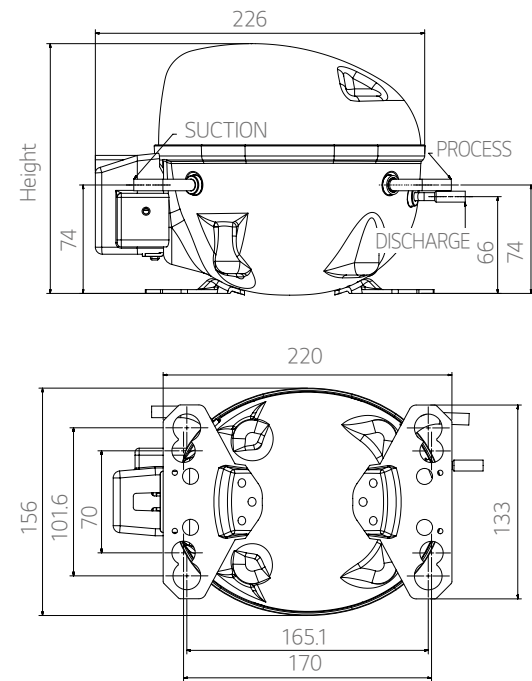
Specification

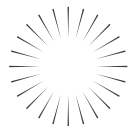
Fixed Speed R290

Application : WLBP

Refrigerant	Series	Model	Motor Type	Voltage	Frequency	Test Condition	Performance					Dimension
							Capacity			EER	COP	Height
							[Kcal/hr]	[Btu/Whr]	[Watts]	[Btu/Whr]	[W/W]	[mm]
R290	CMA	CMA062PHJG	RSIR	220	50	ASHRAE -23.3 °C / 54.4 °C	220	873	256	4.37	1.28	171
		CMA075PACH	CSR	115	50		345	1,370	401	5.02	1.47	171
		CMA075PHEM	RSCR	220 - 240	50		288	1,143	335	5.12	1.50	171

- CMA



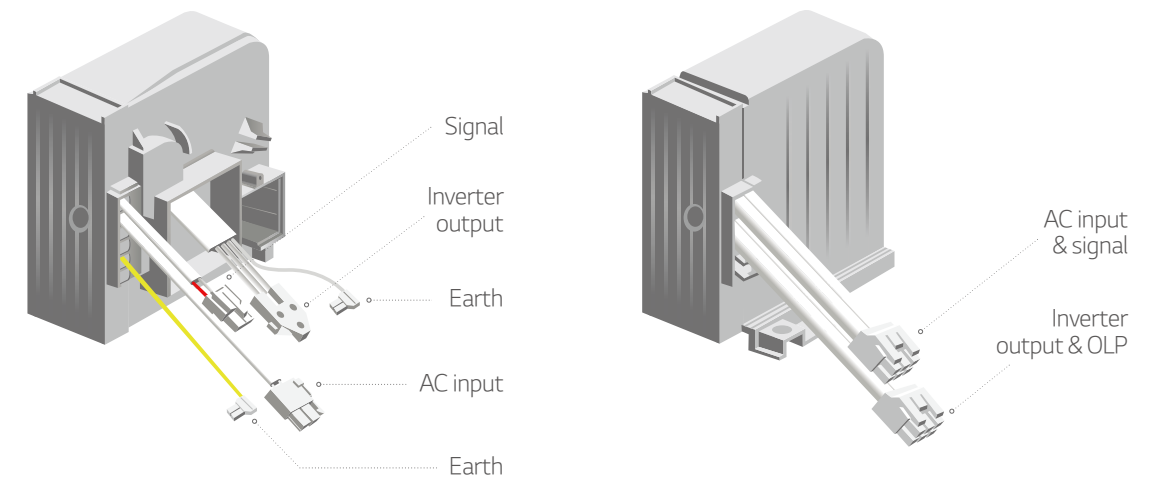


Specification

Drive

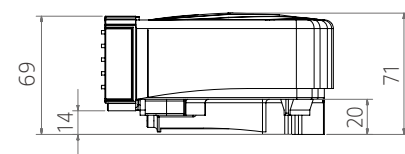
		10A IPM (Medium)	5A IPM (Small)	5A IPM (Compact)
Controller	Rated input power	220-240 Vac	220-240 Vac	220-240 Vac
	Maximum input current	3.0A	2.0A	1.0A
	Maximum input power	260W	220W	100W
	Operating compressor Hz	20-75 Hz	17 ~ 75Hz	45-70 Hz
	Compressor connection color	Black(U) / Blue(V) / Yellow(W)	Black(U) / Blue(V) / Yellow(W)	Black(U) / Blue(V) / Yellow(W)
	Ambient operating temperature	-5-43 °C	-5-43 °C	-5-38 °C
	Storage temperature	-25-85 °C	-25-85 °C	-25-85 °C
	Max. storage relative humidity	85%	85%	85%
	PCBA Size	110*100 mm	110*94 mm	80*75 mm (PCBA type)
Noise Filter	Inductance	4A, 26mH	5A, 10mH	None
OLP	Type	External type (3/4")	External type (4MPS)	External type (4MPS)

Attached / Detached Controller

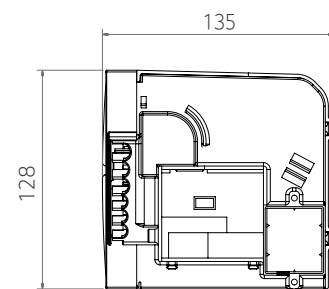
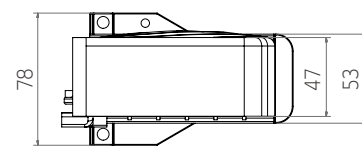


- 10A IPM (Medium)

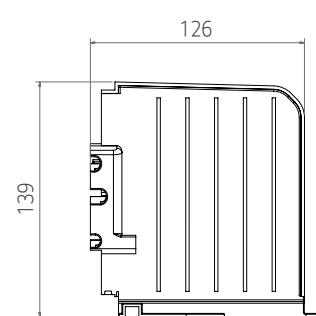
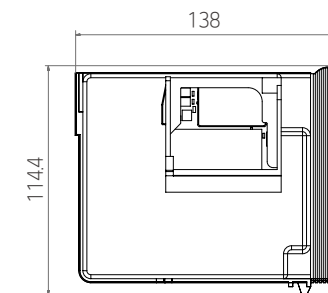
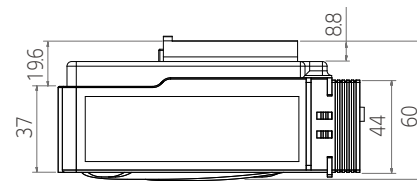
Attached controller



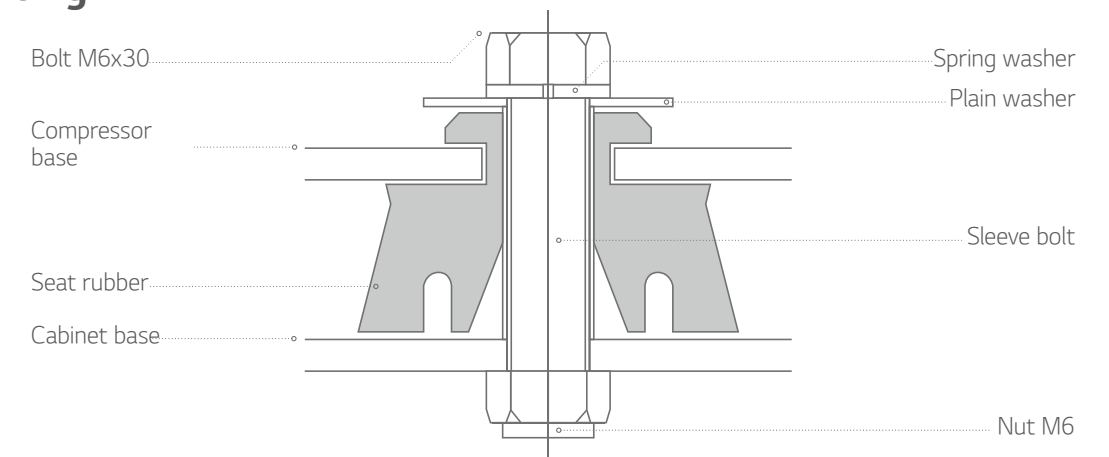
Detached controller



- 5A IPM (Small)



Mounting

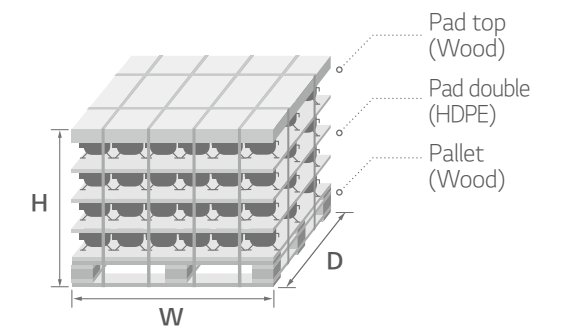


Packing & Container Stuffing Quantity

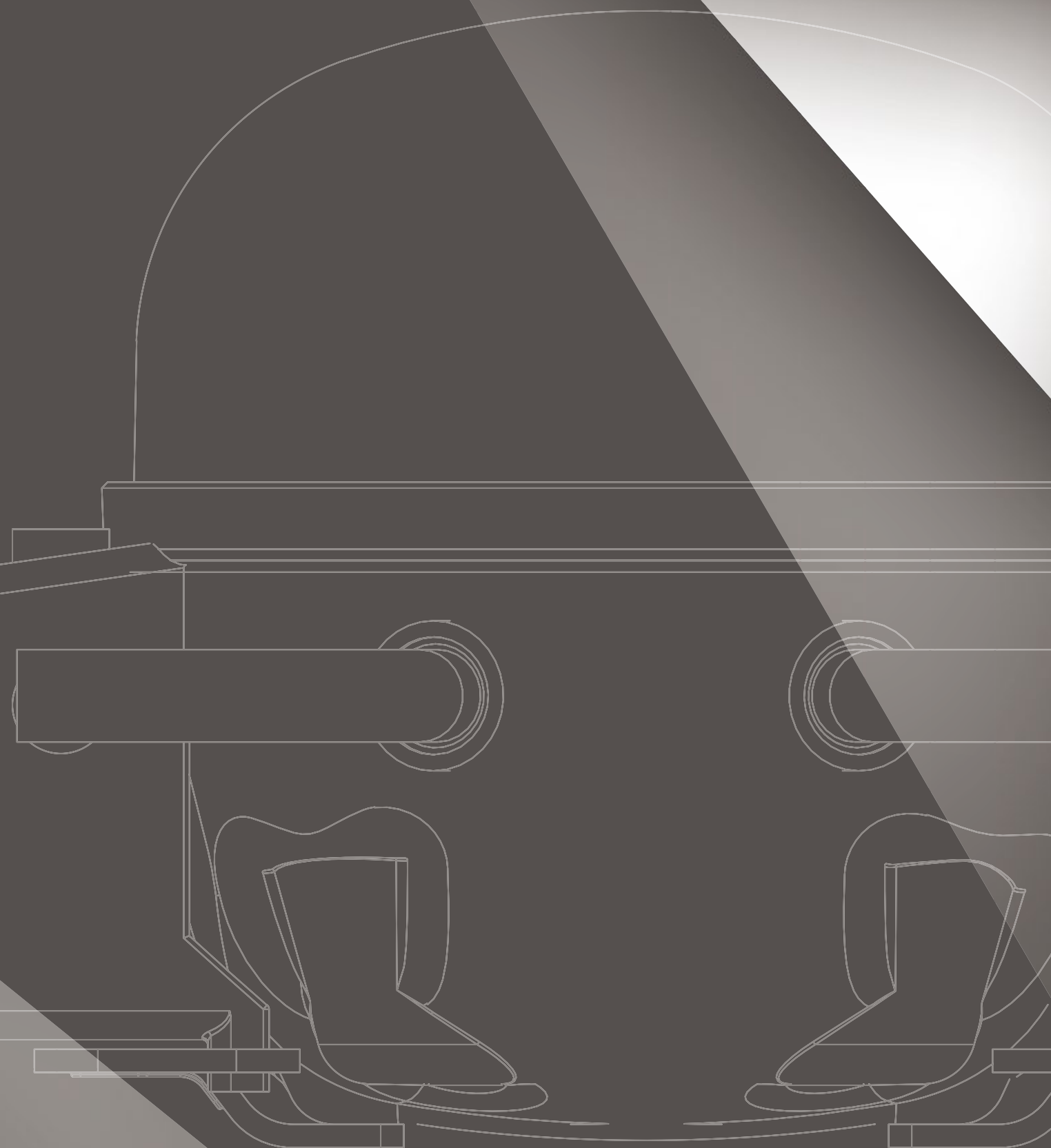
Unit: mm

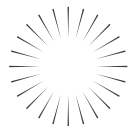
		LX/LQ	CSB	CMA	BSA	BMA	BMG/H/K
Dimension	W	1,100	1,100	1,100	1,100	1,100	1,100
	D	800	800	800	800	800	800
	H(Max)	1,000	1,120	1,080	900	916	916
Q'ty		64	150	90	150	90	90
Layout		4 x 4 x 4	5 x 5 x 5	6 x 3 x 5	5 x 5 x 6	6 x 3 x 5	6 x 3 x 5

Stacking : 3 pallets max. compressor
Height : Based on wooden type



ULTRA COMPACT RECIPROCATING COMPRESSOR





Specification

Ultra Compact Reciprocating Compressor

Application : LBP

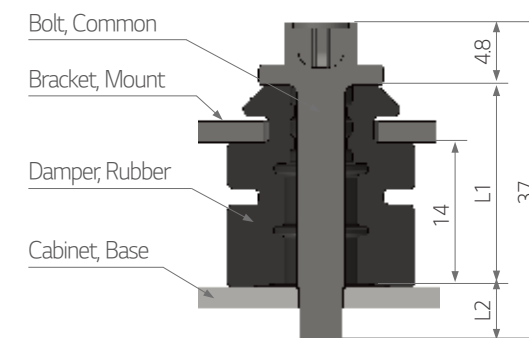
Refrigerant	Series	Model	Motor type	Voltage V	Frequency Hz	Test condition	Speed range RPM	Speed RPM	Performance					Dimension Height mm
									Capacity			EER	COP	
									Kcal/hr	Btu/W·hr	Watts			
R134A	BCA	BCA015LAW	BLDC	12 / 24 DC	50 / 60	2,700 ~ 4,500	4,200	ASHRAE -23.3°C / 54.7°C	28	112	33	4.18	1.22	98
							3,600		25	100	29	3.70	1.08	
							3,000		21	83	24	3.26	0.95	
							2,400		17	67	20	3.04	0.89	
	BCA	BCA018LAW	BLDC	12 / 24 DC	50 / 60	2,700 ~ 4,500	4,200	ASHRAE -23.3°C / 54.6°C	42	165	48	3.91	1.15	98
							3,600		38	151	44	3.44	1.01	
							3,000		35	139	41	3.04	0.89	
							2,400		29	117	34	2.84	0.83	
	BCA	BCA018LAMV	BLDC	220 ~ 240	50 / 60	2,400 ~ 4,200	4,200	ASHRAE -23.3°C / 54.5°C	42	165	48	4.10	1.20	98
							3,600		38	151	44	4.37	1.28	
							3,000		35	139	41	4.37	1.28	
							2,400		29	117	34	4.46	1.31	
BCA	BCA018LBWV	BLDC	100 ~ 127	50 / 60	2,400 ~ 4,200	4,200	ASHRAE -23.3°C / 54.5°C	42	165	48	4.02	1.18	98	
						3,600		38	151	44	4.28	1.25		
						3,000		35	139	41	4.28	1.25		
						2,400		29	117	34	4.37	1.28		
R600A	BCA	BCA030NAMV	BLDC	220 ~ 240	50 / 60	2,400 ~ 4,200	4,200	ASHRAE -23.3°C / 54.4°C	52	206	60	5.04	1.48	98
							3,600		49	193	57	5.08	1.49	
							3,000		41	161	47	5.07	1.48	
							2,400		30	118	35	4.26	1.25	
	BCA	BCA030NAMV	BLDC	220 ~ 240	50 / 60	2,400 ~ 4,200	4,200	ASHRAE -23.3°C / 54.4°C	52	206	60	4.62	1.35	98
							3,600		49	193	57	4.67	1.37	
							3,000		41	161	47	4.62	1.35	
							2,400		30	118	35	3.92	1.15	

Electrical Data

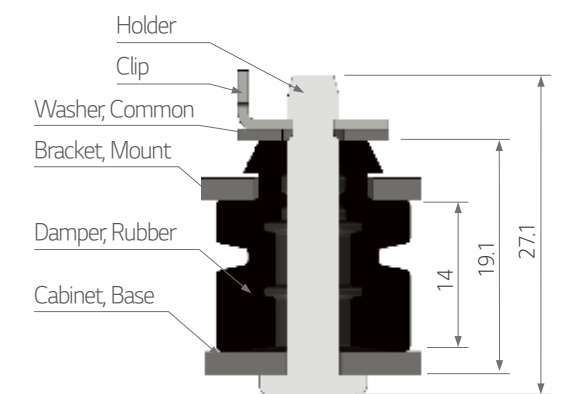
Series	AC	DC
Input voltage range	187 ~ 264 Vac	12 / 24 Vdc (9.0~ 31.5V)
Input frequency	50 / 60 Hz	-
Maximum drive input current	1 Arms	15 Apeak
Maximum drive input power	100 W	100 W
Maximum drive input power in maximum load	100 W (PCB Parts temperature 100°C↓)	100 W (PCB Parts temperature 100°C↓)
Maximum motor input current	0.63 Arms	15 Apeak
Maximum motor input power	95W	100 W
Motor input frequency range	2,400-4,500rpm	40 to 75 Hz (2,400 to 4,500rpm)

Mounting

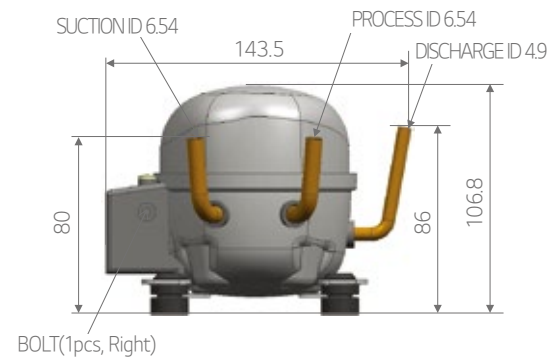
Bolt Type



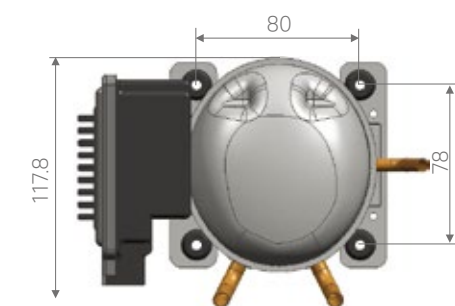
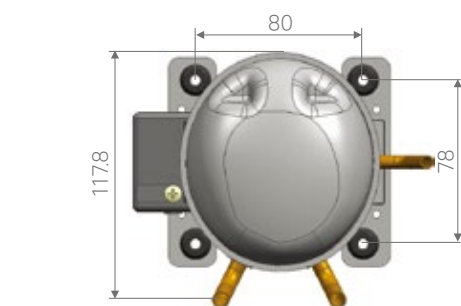
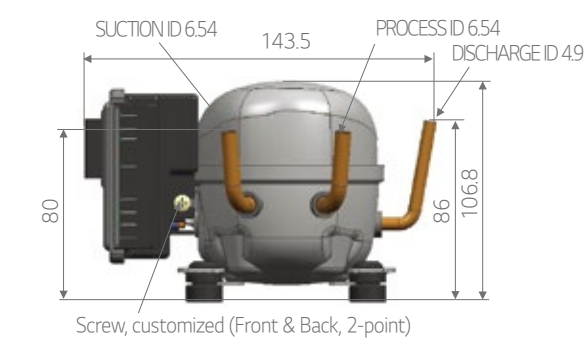
Snap on Type



· AC



· DC



Packing & Container Stuffing Quantity

Unit : mm

		BCA
Dimension mm (inch)	W	1,100 (43.3)
	D	800 (31.5)
	H	940 (37.0)
Q*ty (EA)		280

Stacking : 3pallets max. compressor

